

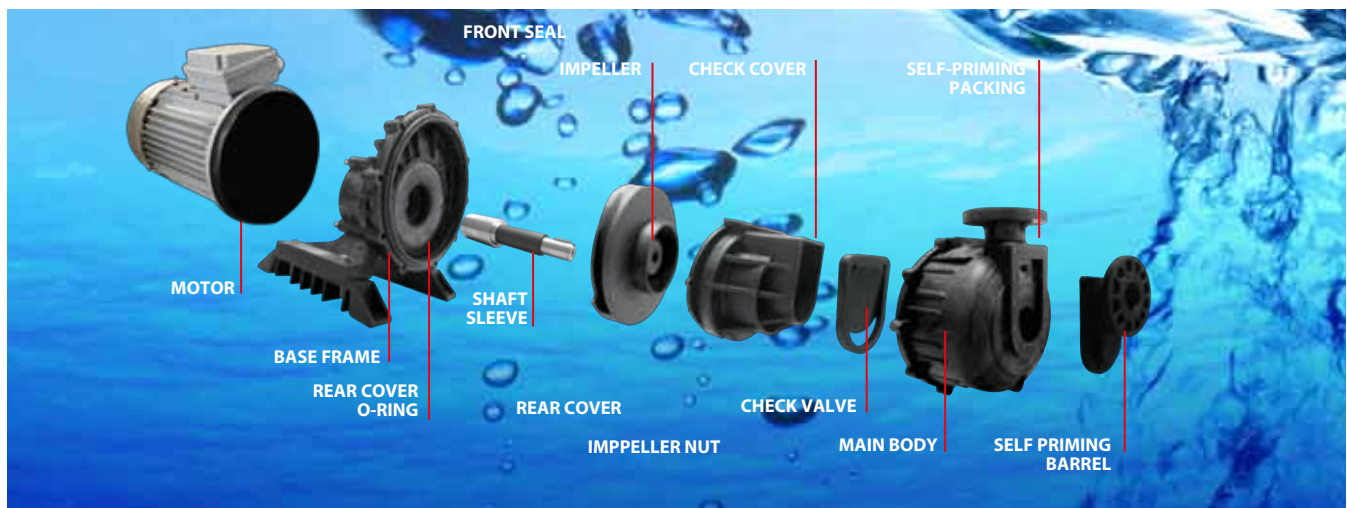
SELF-PRIMING CHEMICAL PUMP



FB 40 02 2 N A L C C H

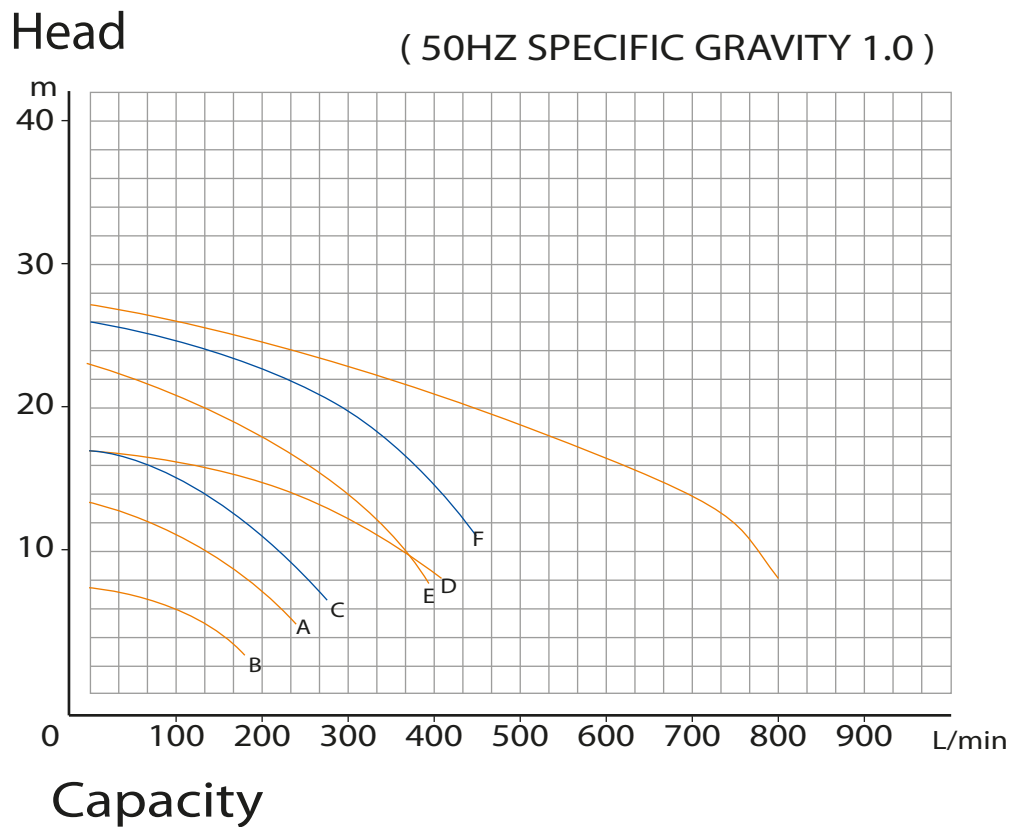
1 2 3 4 5 6 7 8 9 10

1	2	3	4	5	6
FB TYPE FB-MATERIAL FRPP FBC-MATERIAL CFRPP FBP-MATERIAL PVDF	IN-OUTLET 40-1-1/2" 50-2" 75-3"	POWER 11-1 Ø 1/2HP 13-3 Ø 1/2HP 01-3 Ø 1HP 02-3 Ø 2HP 03-3 Ø 3HP 05-3 Ø 5HP	POLE 2-2P 4-4P	RUBBER MATERIAL N-NBR E-EPT V-VITON	B-NON CHECK-VALVE (INLET LOWER THAN LIQUID LEVEL) A-WITH CHECK-VALVE (INLET LOWER THAN LIQUID LEVEL)
7	8			9	10
L-LOW HEAD H-HIGH HEAD	STATIONARY RING C-CERAMIC S-SIC			ROTATION RING C-CERAMIC S-SIC	SPRING H-HASTELLOY-C S-SUS316



SELF-PRIMING ACID/ALKALINE-RESISTANT PUMP

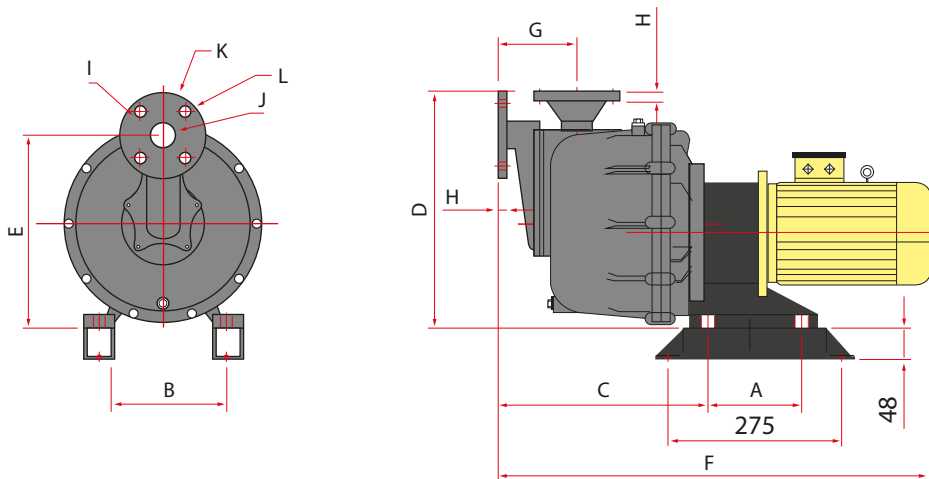
FB PERFORMANCE CURVE CHART



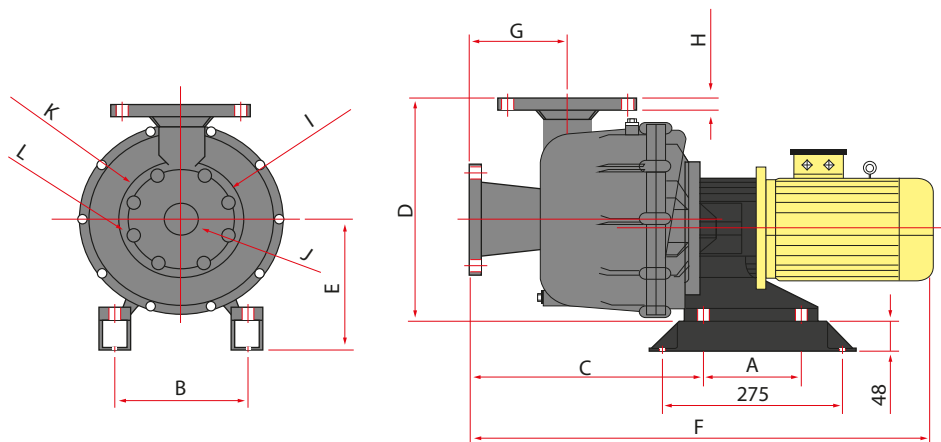
FB SERIES SPECIFICATIONS

Model	Curves NO.	Full head (M)	Full flow amount (L/MIN)	Head(M)	Flow amount (L/MIN)	In/out diameter (m/n)	No. of phase	Power		Weight (KG)
								No. Of charge	Horse power	
Frequency 50HZ										
FB-40012NAL	A	13	240	6	220	40/40	3∅	2	1	26
FB-40013NAL	B	7	185	5	135	40/40	3∅	4	1/2	27
FB-40022NAH	C	19	300	12	230	40/40	3∅	2	2	34
FB-50032NAL	D	17	410	12	300	50/50	3∅	2	3	38
FB-50032NAH	E	23	390	14	300	50/50	3∅	2	3	42
FB-50052NAH	F	26	450	15	400	50/50	3∅	2	5	54
FB-75052NAH	G	27	800	20	430	75/75	3∅	2	5	96

DIMENSION DRAWING



MODEL	A	B	C	D	E	F	G	H	I	J	K	L
FB 40012NAL	140	210	320	320	250	660	130	20	Ø 105	Ø 40	Ø 138	Ø 20
FB 40013NAL	140	210	320	320	250	660	130	20	Ø 105	Ø 40	Ø 138	Ø 20
FB 40022NAH	140	210	320	320	250	660	130	20	Ø 105	Ø 40	Ø 138	Ø 20
FB 50032NAH	140	210	320	320	250	680	130	20	Ø 118	Ø 50	Ø 155	Ø 20
FB 50032NAL	140	210	320	320	250	680	130	20	Ø 118	Ø 50	Ø 155	Ø 20
FB 50052NAH	160	220	310	350	270	775	130	20	Ø 118	Ø 50	Ø 155	Ø 20



MODEL	A	B	C	D	E	F	G	H	I	J	K	L
FB75052NAH	160	220	310	390	268	805	120	20	Ø 150	Ø 80	Ø 188	Ø 20