



上海川源机械工程有限公司
Shanghai GSD Industrial Co.,Ltd



RSV

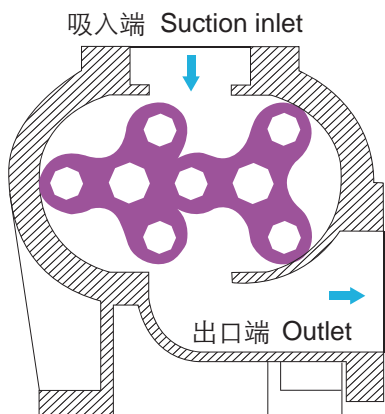
真空风机

RSV vacuum roots blower



RSV 真空风机

RSV vacuum roots blower



原理 Theory

RSV 真空风机是一种容积式风机，其负压可根据用户的要求在允许的范围内加以调节，在机壳内部设置有两组互朝相反方向回转的叶轮，在叶轮与叶轮，及叶轮与壳体间仅留极小缝隙的状态下回转。当叶轮经过吸入端时，与壳体之间捕捉一定量的空气，随叶轮的旋转，空气侧移，从出口端排出。在运转过程中，吸入端管路的负压会慢慢升高，直至要求值。

RSV vacuum roots blower is a positive displacement blower, the negative pressure of which can be adjusted within the allowed range according to the requirements of users. Two groups of impellers rotating in opposite directions are arranged inside the blower shell, and rotate when the gap between the impellers as well as between the impeller and the shell is rather small. When the impellers pass through the suction end, certain air is held between the impellers and the shell. With the rotation of the impellers, the air moves aside to be exhausted from the exit end. During the operation, the negative pressure in the pipeline at the suction end will increase slowly till to the required value.

特点

- 风量和压力范围大。
口径：40mm~300mm
风量：1.01~202.9m³/min
真空压力：-1000mmAq~ -6000mmAq
- 电脑动平衡校正，低振动低噪音。
- 风量稳定，压力变化对风量之影响小。
- 特殊叶轮设计，高效率省能源。
- 构造简单坚固，无故障。
- 使用一级研磨齿轮，精度高，寿命长，低噪音。
- 严格品质管理，标准化制品。
- 叶轮采用最新之龙门刨床六轴加工法，一次加工完成，使更换方便，其具有更高之精密度。

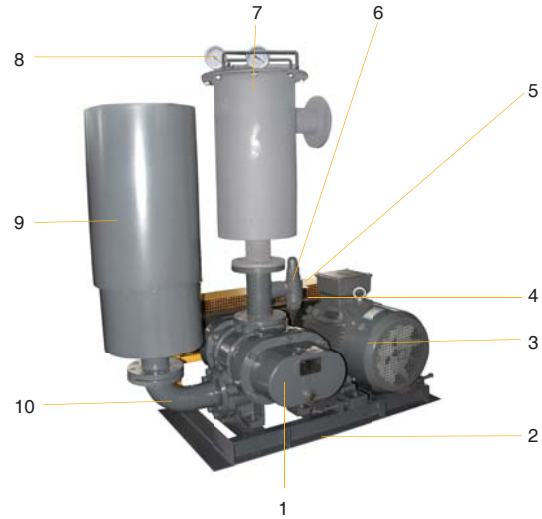
Features

- Wide range of capacity and pressure.
Calibre: 40mm~300mm
Capacity: 1.01~202.9m³/min
Vacuum pressure: -1000mmAq~ -6000mmAq
- Low oscillation and low noise by dynamic balance which revised by computer.
- Smaller change in capacity against change in pressure.
- High efficiency due to special impeller design, great air-delivery low power.
- Simpler and solider structure, less trouble. Highest quality pilot & accurate great applied, long life and low noise assured.
- Standardized product with strict quality control. Our rotor has used the most advanced technic, one time for all working process of the six-shaft method, to enhance the precision.



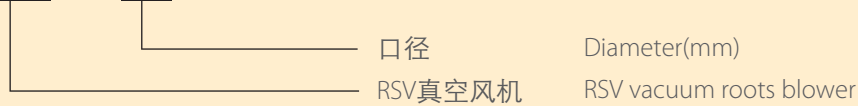
外形结构图 Externality construction

NO.	名称	Name
1	主机	Blower body
2	底座	Foundation
3	电机	Motor
4	皮带	Belt
5	皮带护罩	Belt cover
6	泄压阀	Release valve
7	真空过滤桶	Vacuum filter vat
8	负压表	Negative pressure gauge
9	出口消音器	Outlet silencer
10	弯头	Elbow



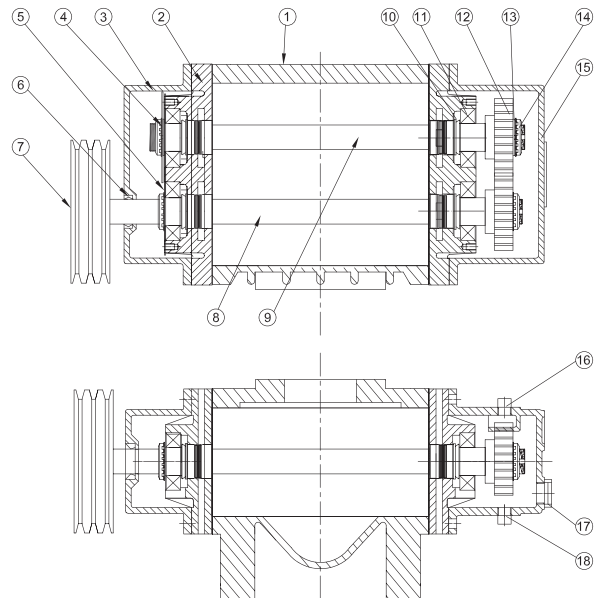
型号说明 Type description

RSV - 50



结构简图 Construction

NO.	名称	Name	材质		Material
			GB	JIS	
1	鼓风机本体	Casing	HT250	FC250	
2	轴承座	Bearing housing	HT250	FC250	
3	油箱	Oil box	HT250	FC250	
4	甩油片	Oil splash	Q235	SS400	
5	轴承固定片	Bearing washer	Q235	SS400	
6	骨架油封	Framework oil seal	Viton	Viton	
7	皮带轮	Pulley	HT250	FC250	
8	主动叶轮	Drive rotor	HT250	FC250	
9	被动叶轮	Driven rotor	HT250	FC250	
10	V型油封	V-ring	Viton	Viton	
11	轴承	Bearing	GCr15	SUJ2	
12	齿轮	Gear	20GrMnTi	SCM415	
13	止动垫圈	Lock washer	Q235	SS400	
14	止动螺母	Lock nut	45	S45C	
15	齿轮箱	Gear box	HT250	FC250	
16	加油柱塞	Lubrication plug	45	S45C	
17	润滑油面计	Oil gauge	Assembly	Assembly	
18	泄油柱塞	Purge plug	45	S45C	



注：不同机型结构略有不同。
Note: Different model has a little difference.



单位换算表 Conversion table

Pressure	atm	kPa	bar	lbt/in ² (psi)	kgf/cm ²	in Hg	ftAq	mmHg(Torr)	mmAq
1 atm	1	101.325	1.01325	14.696	1.0333	29.921	33.914	760	10333
1 kPa	0.0099	1	0.01	0.145	0.0102	0.295	0.335	7.5	102
1 bar	0.9869	100	1	14.504	1.0198	29.53	33.47	750	10198
1 lbt/in ² (psi)	0.068	6.894	0.0689	1	0.0703	2.036	2.308	51.71	703
1 kgf/cm ²	0.968	98.062	0.981	14.228	1	28.96	32.82	735.53	10000
1 inHg	0.0334	3.3863	0.0339	0.491	0.0345	1	1.133	25.4	345.3
1 ftAq	0.0295	2.99	0.0299	0.434	0.0305	0.882	1	22.42	304.8
1 mmHg(Torr)	0.013	0.1338	0.00138	0.019	0.0014	0.04	0.045	1	13.6
1 mmAq	0.000097	0.0098	0.000098	0.0014	0.0001	0.003	0.0033	0.074	1

Capacity	m ³ /min	l/min	cm ³ /s	in ³ /s	ft ³ /min(cfm)
1 m ³ /min	1	1000	16667	1016	35.288
1 l/min	0.001	1	16.67	1.02	0.0353
1 cm ³ /s	0.00006	0.06	1	0.061	0.02
1 in ³ /s	0.00098	0.983	16.39	1	0.035
1 ft ³ /min(cfm)	0.028	28.32	471.95	28.8	1

压力常用换算公式
 Pressure Conversion Formula
 1 kPa=1000Pa=1000N/m²
 1mbar=10.198mmAq
 1mmHg(Torr)=133.8Pa

性能参数 Performance parameters

型号 Type	转速 RPM	Qs(m ³ /min) Pressure(mmAq) La (kW)											
		- 1000mmAq		- 2000mmAq		- 3000mmAq		- 4000mmAq		- 5000mmAq		- 6000mmAq	
		Qs	La	Qs	La	Qs	La	Qs	La	Qs	La	Qs	La
RSV-40	1250	1.64	0.35	1.41	0.69	1.22	1.04	1.01	1.38	-	-	-	-
	1350	1.80	0.37	1.56	0.75	1.36	1.12	1.15	1.49	-	-	-	-
	1450	1.96	0.4	1.71	0.80	1.51	1.20	1.29	1.60	1.15	2.00	1.03	2.40
	1550	2.11	0.43	1.85	0.86	1.65	1.29	1.43	1.71	1.29	2.14	1.16	2.57
	1650	2.27	0.46	2.01	0.91	1.80	1.37	1.57	1.82	1.43	2.28	1.29	2.74
	1750	2.42	0.48	2.16	0.97	1.96	1.45	1.71	1.93	1.57	2.42	1.43	2.90
	1850	2.58	0.51	2.30	1.02	2.10	1.53	1.85	2.05	1.71	2.56	1.56	3.07
	1950	2.73	0.54	2.46	1.08	2.25	1.62	1.99	2.16	1.84	2.70	1.69	3.23
RSV-50	1250	2.66	0.58	2.24	1.15	1.86	1.73	1.59	2.30	1.42	2.88	1.23	3.46
	1350	2.92	0.62	2.49	1.24	2.10	1.87	1.83	2.49	1.65	3.11	1.50	3.73
	1450	3.18	0.67	2.73	1.34	2.34	2.00	2.06	2.67	1.87	3.34	1.73	4.01
	1550	3.44	0.71	2.98	1.43	2.59	2.14	2.29	2.86	2.10	3.57	1.95	4.28
	1650	3.52	0.76	3.23	1.52	2.82	2.28	2.52	3.04	2.33	3.80	2.17	4.56
	1750	3.76	0.81	3.48	1.61	3.06	2.42	2.75	3.22	2.56	4.03	2.39	4.84
	1850	4.01	0.85	3.72	1.70	3.30	2.56	2.99	3.41	2.79	4.26	2.61	5.11
	1950	4.26	0.90	3.97	1.80	3.54	2.70	3.22	3.59	3.02	4.49	2.82	5.39



性能参数 Performance parameters

Qs(m³/min) Pressure(mmAq) La (kW)

型号 Type	转速 RPM	-1000mmAq		-2000mmAq		-3000mmAq		-4000mmAq		-5000mmAq		-6000mmAq	
		Qs	La	Qs	La	Qs	La	Qs	La	Qs	La	Qs	La
RSV-65	1250	3.49	0.75	3.11	1.50	2.89	2.25	2.70	2.99	2.50	3.74	2.31	4.49
	1350	3.83	0.81	3.43	1.62	3.21	2.43	3.00	3.23	2.80	4.04	2.60	4.85
	1450	4.17	0.87	3.75	1.74	3.52	2.61	3.30	3.47	3.10	4.34	2.88	5.21
	1550	4.51	0.93	4.08	1.86	3.83	2.78	3.61	3.71	3.39	4.64	3.17	5.57
	1650	4.84	0.99	4.41	1.98	4.15	2.96	3.92	3.95	3.69	4.94	3.46	5.93
	1750	5.18	1.05	4.72	2.10	4.45	3.14	4.21	4.19	3.99	5.24	3.52	6.29
	1850	5.52	1.11	5.05	2.22	4.77	3.32	4.52	4.43	4.29	5.54	4.03	6.65
	1950	5.86	1.17	5.38	2.34	5.09	3.50	4.82	4.67	4.58	5.84	4.32	7.01
RSV-80	1200	6.22	1.28	5.57	2.55	5.08	3.83	4.49	5.10	4.10	6.38	3.71	7.65
	1300	6.82	1.38	6.14	2.76	5.63	4.15	5.03	5.53	4.63	6.91	4.22	8.29
	1400	7.42	1.49	6.72	2.98	6.18	4.46	5.57	5.95	5.16	7.44	4.73	8.93
	1500	8.02	1.59	7.30	3.19	6.74	4.78	6.11	6.38	5.68	7.97	5.24	9.57
	1600	8.62	1.70	7.87	3.40	7.30	5.10	6.64	6.80	6.20	8.50	5.75	10.21
	1650	8.92	1.75	8.16	3.51	7.58	5.26	6.91	7.02	6.47	8.77	6.00	10.52
	1750	9.51	1.86	8.74	3.72	8.14	5.58	7.45	7.44	7.00	9.30	6.51	11.16
	1850	10.11	1.97	9.31	3.93	8.70	5.90	7.99	7.87	7.52	9.83	7.02	11.80
1950	10.71	2.07	9.88	4.15	9.25	6.22	8.53	8.29	8.05	10.36	7.52	12.44	
RSV-100	1200	9.04	1.79	8.11	3.57	7.32	5.36	6.80	7.14	6.43	8.93	6.09	10.72
	1300	9.88	1.93	8.92	3.87	8.10	5.80	7.54	7.74	7.17	9.67	6.81	11.61
	1400	10.72	2.08	9.72	4.17	8.88	6.25	8.30	8.33	7.91	10.42	7.51	12.50
	1500	11.56	2.23	10.53	4.46	9.66	6.70	9.05	8.93	8.64	11.16	8.23	13.39
	1600	12.40	2.38	11.33	4.76	10.44	7.14	9.81	9.52	9.38	11.91	8.94	14.29
	1650	12.82	2.46	11.73	4.91	10.83	7.37	10.19	9.82	9.75	12.28	9.30	14.73
	1750	13.65	2.60	12.54	5.21	11.62	7.81	10.94	10.42	10.49	13.02	10.01	15.63
	1850	14.49	2.75	13.34	5.51	12.39	8.26	11.69	11.01	11.23	13.77	10.73	16.52
1950	15.33	2.90	14.15	5.80	13.17	8.71	12.45	11.61	11.97	14.51	11.43	17.41	
RSV-125A	1180	13.20	2.57	12.01	5.15	11.06	7.72	10.07	10.29	9.20	12.87	8.52	15.44
	1250	14.06	2.73	12.84	5.45	11.86	8.18	10.85	10.90	9.96	13.63	9.25	16.35
	1320	14.92	2.88	13.66	5.76	12.66	8.64	11.62	11.51	10.72	14.39	9.98	17.27
	1390	15.78	3.03	14.49	6.06	13.46	9.09	12.39	12.12	11.48	15.16	10.71	18.19
	1470	16.77	3.21	15.44	6.41	14.37	9.62	13.28	12.82	12.34	16.03	11.54	19.23
	1560	17.87	3.40	16.49	6.80	15.40	10.21	14.27	13.61	13.31	17.01	12.49	20.41
	1650	18.98	3.60	17.56	7.20	16.42	10.79	15.26	14.39	14.28	17.99	13.42	21.59
	1750	20.20	3.82	18.74	7.63	17.57	11.45	16.37	15.26	15.36	19.08	14.47	22.90
1850	21.43	4.03	19.91	8.07	18.71	12.10	17.48	16.14	16.45	20.17	15.51	24.21	
RSV-125	1180	18.92	3.76	17.05	7.52	15.78	11.28	14.51	15.04	13.81	18.80	12.80	22.56
	1250	20.17	3.98	18.25	7.97	16.95	11.95	15.63	15.94	14.91	19.92	13.86	23.90
	1320	21.43	4.21	19.46	8.41	18.13	12.62	16.77	16.83	16.02	21.04	14.93	25.24
	1390	22.69	4.43	20.67	8.86	19.29	13.29	17.90	17.72	17.12	22.15	16.01	26.58
	1470	24.12	4.69	22.04	9.37	20.63	14.06	19.19	18.74	18.38	23.43	17.22	28.11
	1560	25.74	4.97	23.60	9.94	22.12	14.92	20.65	19.89	19.81	24.86	18.60	29.83
	1650	27.35	5.26	25.14	10.52	23.63	15.78	22.10	21.04	21.23	26.29	19.98	31.55
	1750	29.15	5.58	26.87	11.15	25.30	16.73	23.72	22.31	22.81	27.89	21.50	33.46
1850	30.94	5.90	28.59	11.79	26.97	17.69	25.33	23.58	24.38	29.48	23.03	35.38	
RSV-150	1180	24.30	4.85	21.84	9.70	20.42	14.55	19.11	19.40	18.28	24.25	17.04	29.10
	1250	25.92	5.14	23.40	10.27	21.93	15.41	20.57	20.55	19.70	25.69	18.42	30.82
	1320	27.54	5.42	24.95	10.85	23.44	16.27	22.03	21.70	21.13	27.12	19.80	32.55
	1390	29.16	5.71	26.51	11.42	24.94	17.14	23.49	22.85	22.55	28.56	21.17	34.27
	1470	31.02	6.04	28.28	12.08	26.67	18.12	25.16	24.17	24.18	30.21	22.75	36.25
	1560	33.10	6.41	30.29	12.82	28.61	19.23	27.03	25.64	26.01	32.06	24.52	38.47
	1650	35.18	6.78	32.28	13.56	30.54	20.34	28.90	27.12	27.85	33.91	26.29	40.69
	1750	37.50	7.19	34.51	14.38	32.70	21.58	30.99	28.77	29.88	35.96	28.25	43.15
1850	39.81	7.60	36.73	15.21	34.85	22.81	33.07	30.41	31.93	38.01	30.23	45.62	



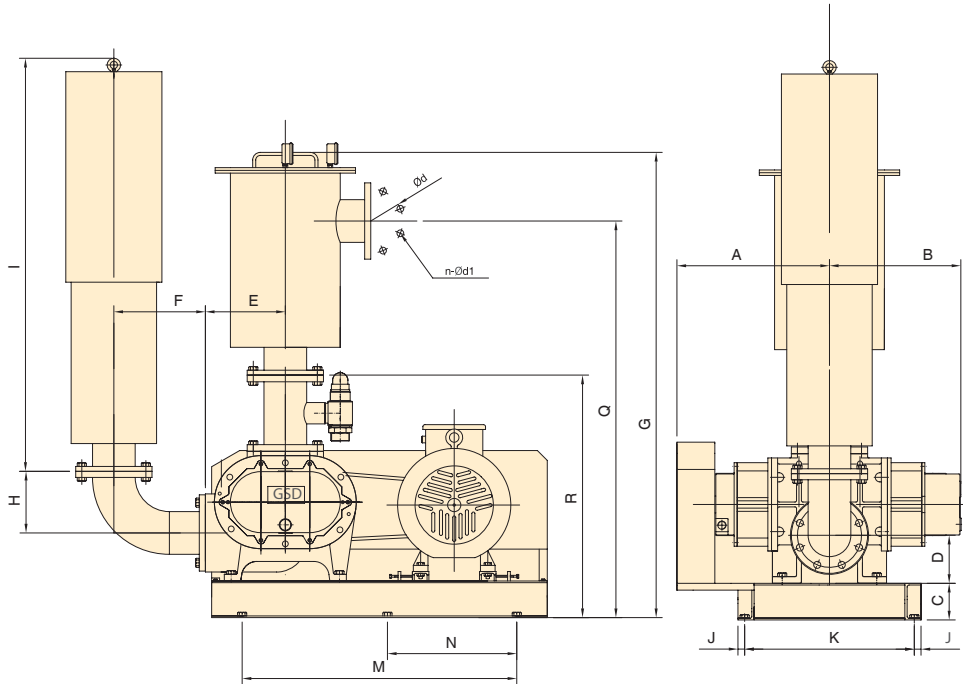
性能参数 Performance parameters

Qs(m³/min) Pressure(mmAq) La (kW)

型号 Type	转速 RPM	-1000mmAq		-2000mmAq		-3000mmAq		-4000mmAq		-5000mmAq		-6000mmAq	
		Qs	La	Qs	La	Qs	La	Qs	La	Qs	La	Qs	La
RSV-200A	990	32.08	8.94	29.49	14.87	27.66	21.38	25.98	27.22	24.73	33.05	23.30	39.85
	1050	34.21	9.43	31.54	15.84	29.65	22.36	27.91	28.19	26.60	35.97	25.12	41.80
	1110	36.35	9.91	33.59	16.62	31.64	23.33	29.84	30.13	28.49	37.91	26.94	44.71
	1180	38.78	10.50	36.02	17.69	33.90	25.27	32.02	32.08	30.71	39.85	29.00	46.66
	1250	41.31	11.08	38.35	18.86	36.25	26.24	34.29	34.02	32.85	41.80	31.14	49.57
	1320	43.84	11.66	40.78	19.44	38.51	28.19	36.57	36.94	35.07	44.71	33.29	52.49
	1390	46.27	13.34	43.20	20.41	40.85	29.16	38.75	37.91	37.21	46.66	35.36	55.40
RSV-200	990	41.20	11.00	37.92	18.80	35.53	26.00	33.39	34.00	31.77	43.00	29.92	50.00
	1050	44.00	11.60	40.61	20.00	38.04	28.00	35.82	37.00	34.23	45.00	32.30	53.00
	1110	46.70	12.20	43.20	21.00	40.64	30.00	38.34	39.00	36.61	48.00	34.60	56.00
	1180	49.90	13.10	46.27	22.00	43.62	31.00	41.22	41.00	39.42	50.00	37.32	59.00
	1250	53.10	13.80	49.34	24.00	46.59	33.00	44.10	44.00	42.24	53.00	40.04	63.00
	1320	56.30	14.50	52.42	25.00	49.57	35.00	46.98	46.00	45.06	56.00	42.76	66.00
	1390	59.50	15.20	55.49	26.00	52.55	38.00	49.86	48.00	47.87	59.00	45.56	70.00
RSV-250	990	55.60	14.15	51.46	24.66	48.45	34.30	45.72	46.10	43.65	55.74	41.40	66.46
	1050	59.30	15.00	55.10	25.73	51.80	36.45	49.05	48.24	46.90	59.00	44.46	69.88
	1110	63.00	15.75	58.56	27.87	55.24	39.66	52.29	51.46	50.16	62.18	47.60	73.97
	1180	67.20	16.72	62.69	28.94	59.24	41.80	56.16	54.67	53.94	66.46	51.26	79.33
	1250	71.50	17.80	66.82	31.09	63.24	45.02	60.03	58.81	57.64	69.68	54.83	83.62
	1320	75.80	18.76	70.94	32.16	67.24	47.17	63.90	60.00	61.42	73.97	58.48	87.90
	1390	80.10	19.72	74.88	34.30	71.15	49.31	67.95	63.25	65.21	78.26	62.14	93.26
RSV-300A	1000	76.8	19.5	71.0	34.0	67.0	47.3	63.1	63.7	60.5	76.9	57.2	92.6
	1150	90.0	22.5	83.2	39.1	78.5	54.4	73.9	73.2	71.0	88.4	67.1	106.4
	1300	101.6	25.1	95.0	43.1	90.1	63.2	85.6	80.4	82.3	99.1	78.4	117.8
	1450	115.5	28.0	108.1	48.1	102.4	70.5	97.5	89.7	93.6	110.6	89.1	134.0
RSV-300	900	111.5	26.6	103.9	50.1	98.2	71.6	92.6	91.4	88.7	109.7	84.0	126.7
	1000	124.5	29.6	116.7	57.0	110.6	80.9	104.6	102.9	100.4	123.3	95.3	142.1
	1100	138.1	34.5	129.7	63.9	123.1	90.2	116.7	114.4	112.3	136.8	106.8	157.6
	1200	151.7	39.5	142.6	70.8	135.6	99.5	128.8	125.9	124.1	150.4	118.2	171.9
	1300	165.3	44.5	155.6	83.6	148.2	108.8	141.0	137.4	136.0	164.0	129.7	188.4
	1400	178.0	47.9	167.6	90.0	159.6	117.2	151.9	148.0	146.5	176.6	139.7	202.9



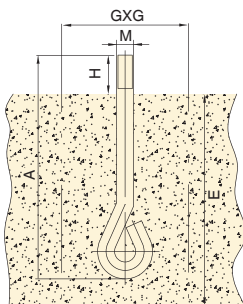
外形尺寸图 Installation dimensions



单位: Unit(mm)

型号 Type	A	B	C	D	E	F	G	H	I	J	K	M	N	Q	R	Ød	n-Ød1
RSV-40	245	205	46	104	140	180	841	98	444	25	350	500	-	681	531	110	4-Ø18
RSV-50	295	245	80	103.5	157	200	1136	110	594	20	410	620	-	896	556	125	4-Ø18
RSV-65	306	275	80	104	152	200	1181	115	594	20	410	620	-	996	556	145	4-Ø18
RSV-80	400	300	80	106.5	180	220	1406	128	864	20	510	670	-	1181	621	160	8-Ø18
RSV-100	442	350	100	106.5	180	250	1416	164	864	20	560	760	-	1216	691	180	8-Ø18
RSV-125A	440	370.5	120	134.5	250	300	1530	202	1354	22	556	900	-	1305	800	210	8-Ø18
RSV-125	500	430.5	120	157.5	262	300	1525	202	1354	22	556	900	-	1300	795	210	8-Ø18
RSV-150	536	485.5	120	163.5	251.5	320	1695	240	1354	22	556	900	-	1415	820	240	8-Ø22
RSV-200A	529	460	160	198	360	315	2035	315	1544	30	790	1300	650	1685	1035	295	8-Ø22
RSV-200	570	510	160	195	360	315	2035	315	1544	30	940	1300	650	1685	1035	295	8-Ø22
RSV-250	695	585	160	215	360	350	2270	350	1744	30	940	1400	700	1870	1070	350	12-Ø22
RSV-300A	830	723	160	255	356	470	2485	470	1869	30	940	1500	750	2085	1085	400	12-Ø22
RSV-300	750	685	250	300	560	470	2880	470	1869	30	1030	2000	1000	2480	1480	400	12-Ø22

地脚螺栓 Anchor bolt



单位: Unit(mm)

地脚螺栓 M Anchor bolt GB799-88	A	H	E	GxG	适用型号 Application type
M12	160	36	224	100x100	RSV-40,50,65,80
M16	220	45	275	120x120	RSV-100,125A,125,150
M20	300	55	345	150x150	RSV-200A,200,250,300A,300

注: 1.图注E为最小尺寸, 根据安装的土壤情况, 应当适当加深。

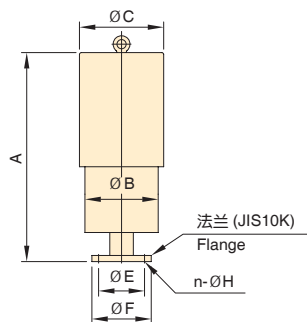
2.GxG为二次浇灌前的预留孔尺寸。

Note: 1. The note E on the drawing is the minimum size, it shall be deepened properly according to the soil condition in the installation place.

2. GxG is the size of the preformed holes for the secondary casting.



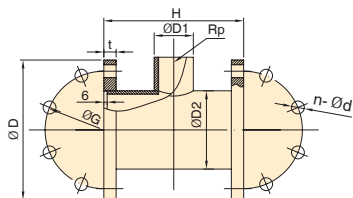
出口消音器 Outlet silencer



单位: Unit(mm)

型号 Type	A	ØB*T	ØC	D	ØE	ØF	n-ØH	重量 Weight (kg)	适用型号 Application type
SS40	400	109*1.2	170	70	105	130	4-Ø15	7.0	RSV-40
SS50	550	140*2.75	165	80	120	155	4-Ø18	11.0	RSV-50
SS65	550	165*2.75	200	85	140	175	4-Ø18	14.7	RSV-65
SS80	820	219*2.75	245	160	150	185	8-Ø18	25.4	RSV-80
SS100	820	245*3	273	160	175	210	8-Ø18	28.0	RSV-100
SS125	1310	273*3	315	185	210	250	8-Ø22	42.0	RSV-125(A)
SS150	1310	299*3	345	190	240	280	8-Ø22	45.3	RSV-150
SS200	1500	400*3	500	230	290	330	12-Ø22	67.8	RSV-200(A)
SS250	1700	400*3	500	230	355	400	12-Ø22	81.2	RSV-250
SS300	1825	500*3	650	350	400	445	16-Ø22	108	RSV-300(A)

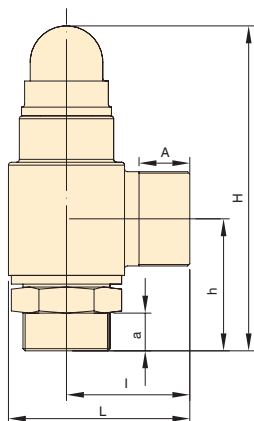
三通 T-joint



单位: Unit(mm)

型号 Type	H	ØD	ØD1	ØD2	ØG	n-Ød	t	Rp
RSV-40	200	140	50	63	105	4-Ø19	16	1.5"
RSV-50	200	155	50	63	120	4-Ø19	16	1.5"
RSV-65	200	175	50	83	140	4-Ø19	18	1.5"
RSV-80	200	185	70	95	150	8-Ø19	18	1.5"
RSV-100	250	210	70	114	175	8-Ø19	18	2"
RSV-125(A)	250	250	70	140	210	8-Ø23	20	2"
RSV-150	250	280	70	168	240	8-Ø23	22	2"
RSV-200(A)	250	330	70	219	290	12-Ø23	22	2"
RSV-250	250	400	70	273	355	12-Ø25	24	2"
RSV-300(A)	250	445	70	325	400	16-Ø25	24	2"

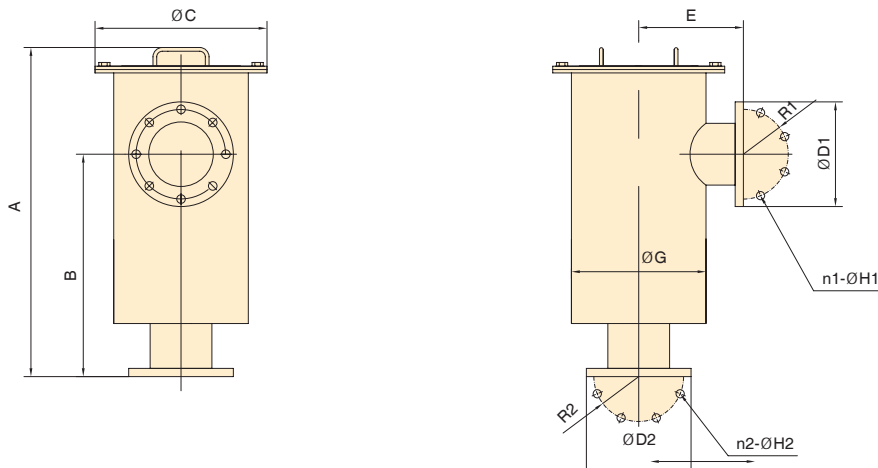
真空泄压阀 Vacuum pressure release valve



单位: Unit(mm)

型号 Type	A	a	L	l	H	h	适用型号 Application type
G1.5	25	18	97	66	175	70	RSV-40、50、65、80
G2"	35	25	125	85	218	91	RSV-100~300

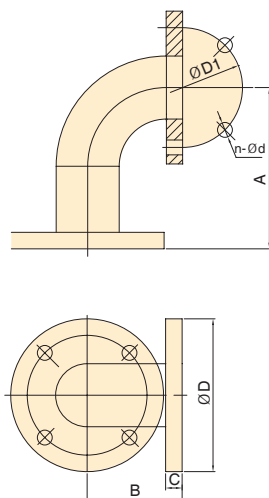
真空过滤桶 Vacuum filter vat



单位: Unit(mm)

型号 Type	A	B	ØC	R1	ØD ₁	n ₁ -Ød ₁	R2	ØD ₂	n ₂ -Ød ₂	E	ØG
DN-40	310	150	350	55	150	4-Ø18	52.5	140	4-Ø19	230	244
DN-50	580	340	350	62.5	165	4-Ø18	60	155	4-Ø19	225	244
DN-65	625	440	350	72.5	185	4-Ø18	70	175	4-Ø19	225	244
DN-80	785	560	380	80	200	8-Ø18	75	185	8-Ø19	250	280
DN-100	825	525	380	90	220	8-Ø18	87.5	210	8-Ø19	250	280
DN-125(A)	730	505	460	105	250	8-Ø18	105	250	8-Ø23	280	360
DN-150	875	595	460	120	285	8-Ø22	120	280	8-Ø23	280	360
DN-200(A)	1000	650	570	147.5	340	8-Ø22	145	330	12-Ø23	335	470
DN-250	1200	800	570	175	395	12-Ø22	177.5	400	12-Ø25	335	470
DN-300(A)	1450	1000	700	200	445	12-Ø22	200	445	16-Ø25	400	600

真空弯头 Vacuum elbow

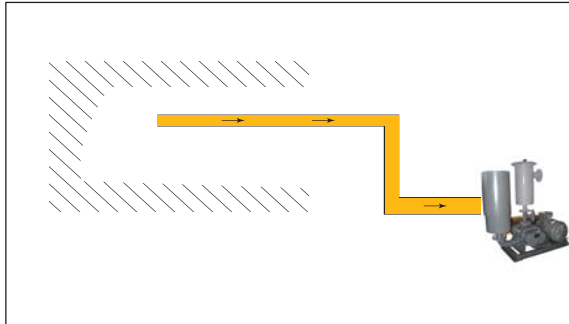


单位: Unit(mm)

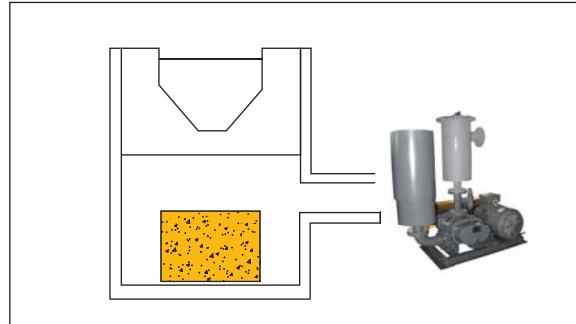
型号 Type	A	B	ØD	Ød ₁	C	n-Ød	适用型号 Application type
DN-40	180	98	140	105	16	4-Ø19	RSV-40
DN-50	200	110	155	120	16	4-Ø19	RSV-50
DN-65	200	115	175	140	18	4-Ø19	RSV-65
DN-80	220	128	185	150	18	8-Ø19	RSV-80
DN-100	250	164	210	175	18	8-Ø19	RSV-100
DN-125	300	202	250	210	20	8-Ø23	RSV125(A)
DN-150	320	240	280	240	22	8-Ø23	RSV-150
DN-200	315	315	330	290	22	12-Ø23	RSV-200(A)
DN-250	350	350	400	355	24	12-Ø25	RSV-250
DN-300	470	470	445	400	24	16-Ø25	RSV-300(A)



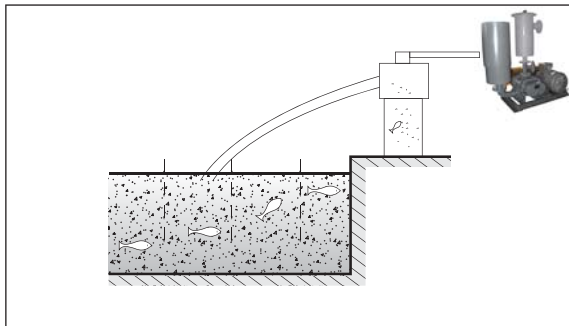
用途说明 Applications



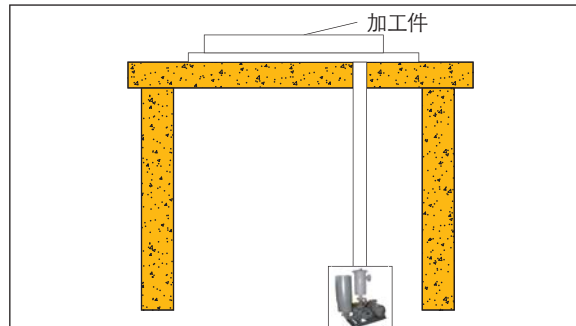
1 煤矿，抽出有毒气体
Coal mine, pumping out toxic gas



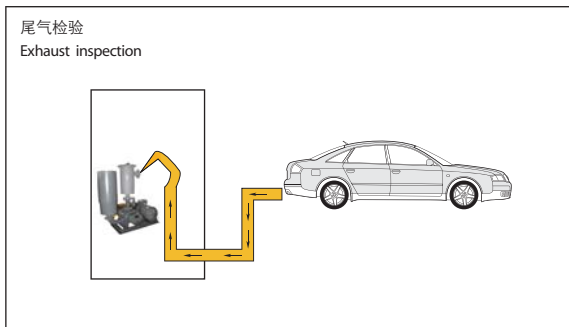
2 过滤器：用强力的真空吸引可缩短过滤的时间
Filter: Powerful vacuum extraction may shorten filtering time



3 养鱼场：将小鱼苗输送上来
Fish farm: Delivering small fish out

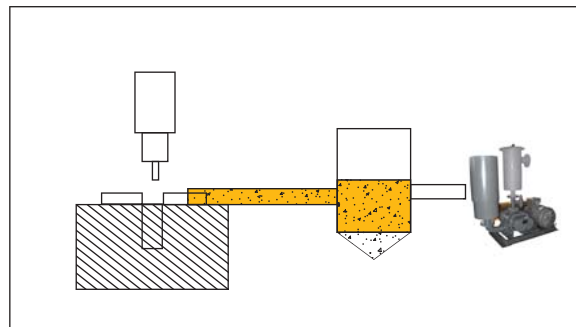


4 模具或木头雕刻：吸附住工件，将工件夹紧便于加工
Mould or wood carving: Absorbing workpieces to clamp them for processing

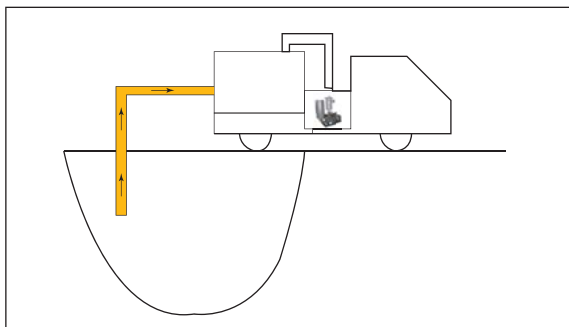


尾气检验
Exhaust inspection

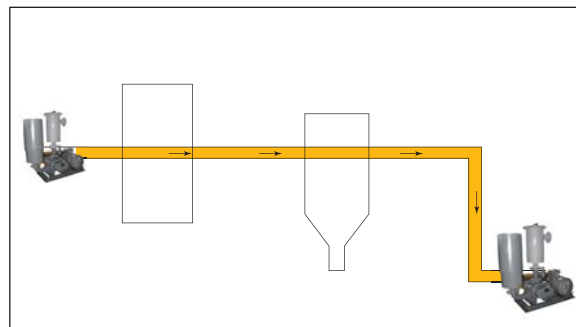
5 尾气排放检验：吸走汽车排放的尾气进行检验
Exhaust emission inspection: Absorbing the tail gas from automobiles for inspection



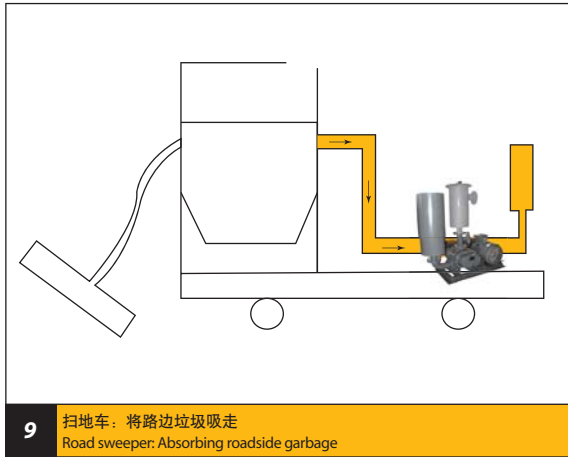
6 机械加工厂，吸走加工铁屑
Machining factory, for absorbing processed iron flings



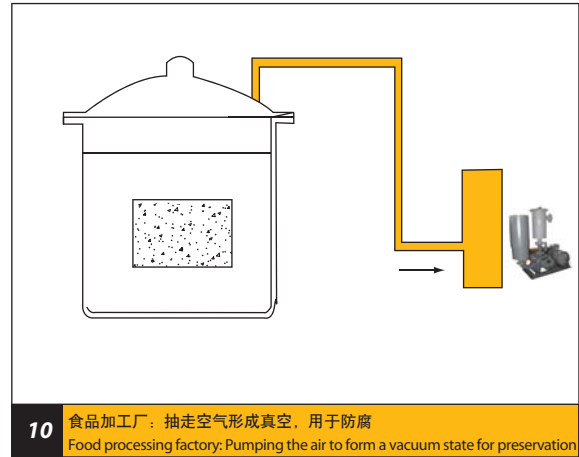
7 下水道：吸污泥及杂物进入固定容器
Sewer: Absorbing mud and raffles into fixed container



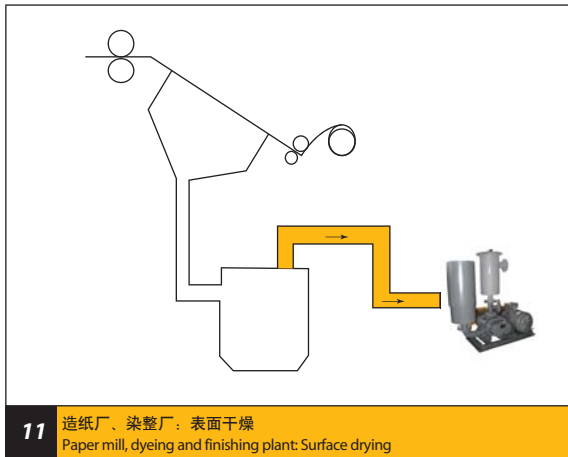
8 排烟脱硫：反应
Stack desulfurization: Reaction



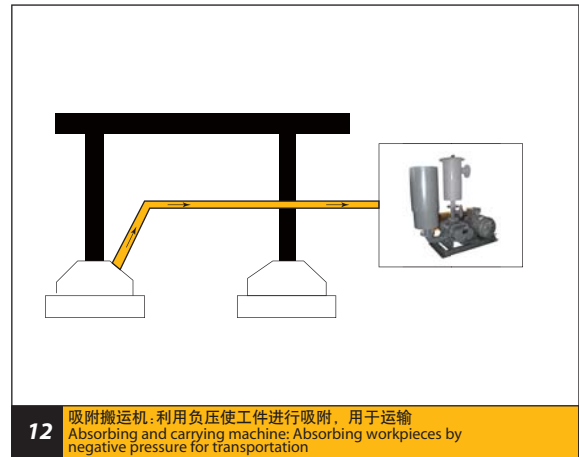
9 扫地车：将路边垃圾吸走
Road sweeper: Absorbing roadside garbage



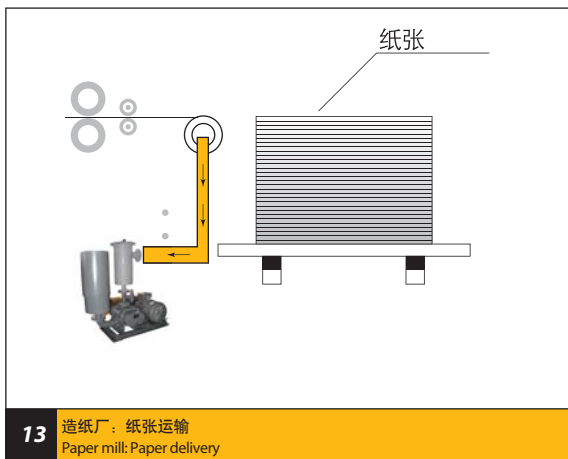
10 食品加工厂：抽走空气形成真空，用于防腐
Food processing factory: Pumping the air to form a vacuum state for preservation



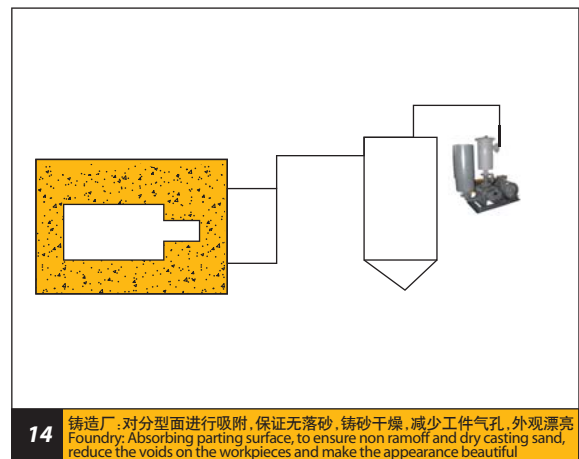
11 造纸厂、染整厂：表面干燥
Paper mill, dyeing and finishing plant: Surface drying



12 吸附搬运机：利用负压使工件进行吸附，用于运输
Absorbing and carrying machine: Absorbing workpieces by negative pressure for transportation



13 造纸厂：纸张运输
Paper mill: Paper delivery



14 铸造厂：对分型面进行吸附，保证不落砂，铸砂干燥，减少工件气孔，外观漂亮
Foundry: Absorbing parting surface, to ensure non ramoff and dry casting sand, reduce the voids on the workpieces and make the appearance beautiful

欢迎索取以下产品型录



泵系列

- 潜水泵系列
- 陆上泵系列
- 特种泵系列
- 消防泵系列



搅拌推流系列

- 搅拌机系列
- 推流器系列



供氧曝气系列

- 曝气机系列
- 曝气盘系列
- 曝气管系列



风机系列

- 三叶罗茨鼓风机系列
- 增压罗茨鼓风机系列



污泥处理设备 及其他

- 固液分离系列
- 泡药设备
- 输送设备



上海川源机械工程有限公司
Shanghai GSD Industrial Co.,Ltd

免费咨询电话

800-820-1977

本型录内容如有变更，恕不另行通知。
We reserve the right to change content without notice.