



上海川源机械工程有限公司
Shanghai GSD Industrial Co.,Ltd



CVDC

立式干井式不堵塞泵

CVDC vertical dry pit non-clog pump



CVDC立式干井式不堵塞泵

CVDC vertical dry pit non-clog pump

Application

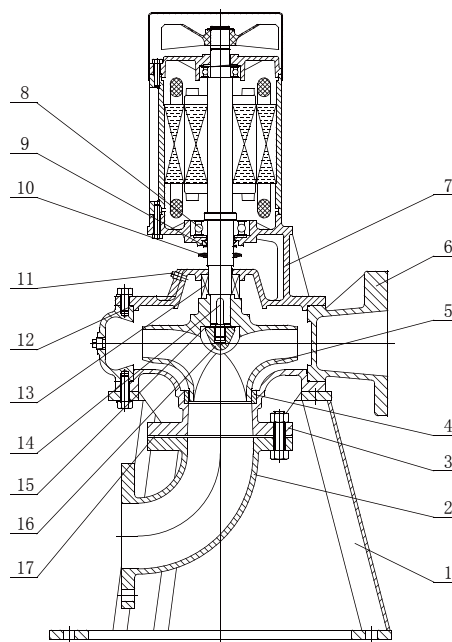
Wastewater treatment plant sewage and sludge pumping equipment.
Municipal and industrial wastewater pumping equipment.

Features

The whole machine is in vertical structure, pump and motor are coaxial. Compared with similar products, it is compact, small footprint and saving investment.

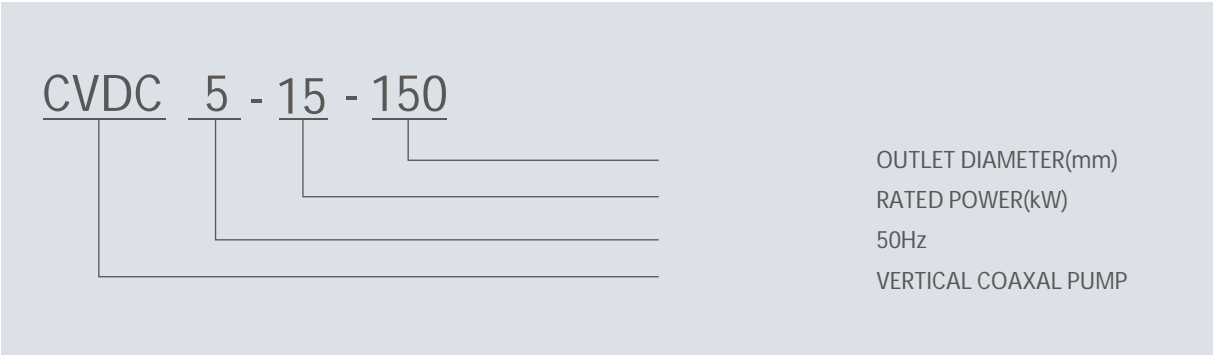
Well statically & dynamically balanced Non-clog impeller is designed to allow sizable spherical solids to pass the plow passage easily without clogging. Vibration and noise can be farthest reduced.

Full closed ball bearings add protection for high loads.

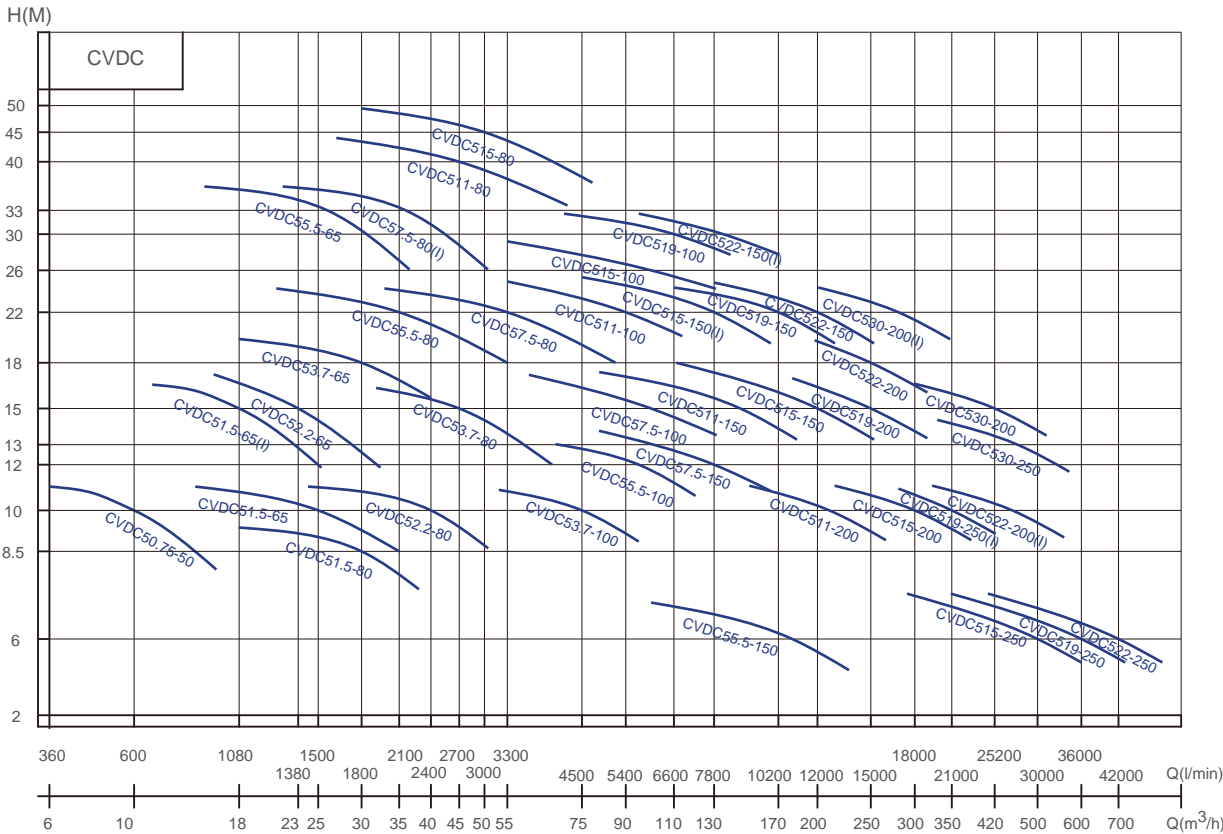


NO.	NAME	MATERIAL
1	Pump stent	Q235A
2	Bent pipe	HT200
3	Front cover	HT200
4	Seal ring	ZCuSn10Pb5
5	Impeller	HT200
6	Pump casing	HT200
7	Bracket	HT200
8	Bearing	
9	Seal ring	氟橡胶
10	Water deflector	NBR
11	Vent plug	Q235A
12	O ring	NBR
13	Mechanical seal	SiC-SiC
14	Key	3Cr13
15	Stop washer	0Cr18Ni9
16	Impeller nut	0Cr18Ni9
17	Flange washer	NBR

Type description



Performance curves

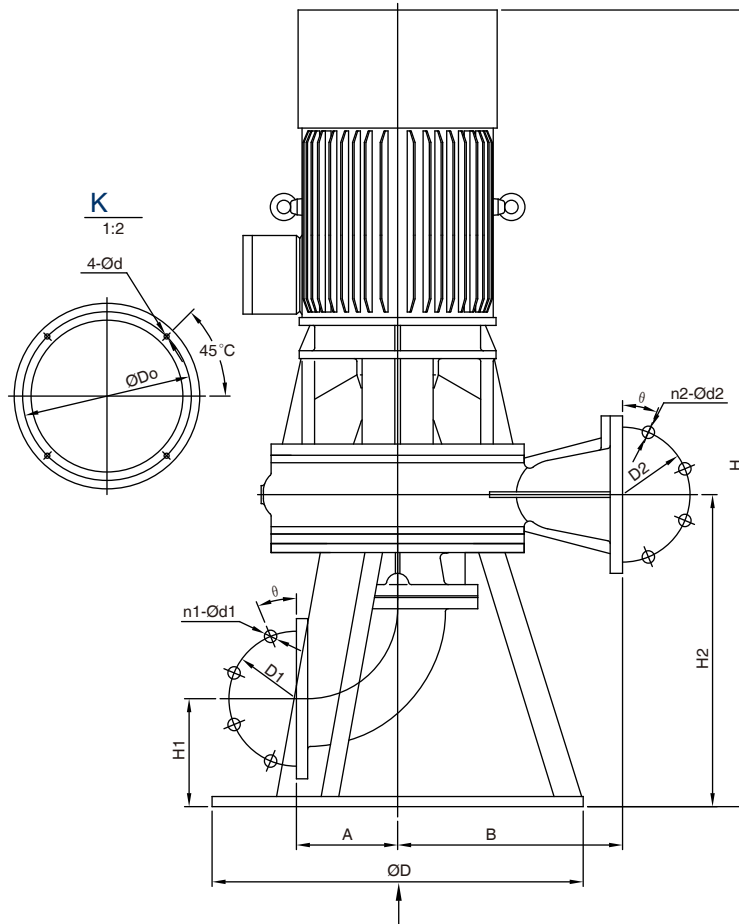


Performance parameters

型号 Type	转速 Speed r/min	流量 Capacity m ³ /h	扬程 Head m	效率 Eff %	电机功率 Motor Power kW	口径 Dia. mm	重量 Weight kg
CVDC50.75-50	1450	10	10	50	0.75	50	64
CVDC51.5-65	1450	25	10	60	1.5	65	80
CVDC51.5-65(I)	1450	18	15	60	1.5	65	89
CVDC52.2-65	1450	23	15	60	2.2	65	91
CVDC53.7-65	1450	30	18	55	3.7	65	105
CVDC55.5-65	1450	26	33	45	5.5	65	166
CVDC51.5-80	1450	30	8.5	60	1.5	80	84
CVDC52.2-80	1450	40	10	60	2.2	80	96
CVDC53.7-80	1450	45	15	62	3.7	80	135
CVDC55.5-80	1450	35	22	55	5.5	80	156
CVDC57.5-80	1450	55	22	62	7.5	80	183
CVDC57.5-80(I)	1450	36	33	50	7.5	80	205
CVDC511-80	1450	45	40	60	11	80	285
CVDC515-80	1450	50	45	51	15	80	312
CVDC53.7-100	1450	75	10	70	3.7	100	153
CVDC55.5-100	1450	95	12	68	5.5	100	162
CVDC57.5-100	1450	100	15	70	7.5	100	190
CVDC511-100	1450	90	22	68	11	100	248
CVDC515-100	1450	100	26	65	15	100	275
CVDC519-100	1450	110	30	66	18.5	100	325
CVDC55.5-150	1450	180	6	73	5.5	150	188
CVDC57.5-150	1450	130	12	70	7.5	150	210
CVDC511-150	1450	145	15	72	11	150	264
CVDC515-150	1450	200	15	74	15	150	305
CVDC515-150(I)	1450	130	22	70	15	150	305
CVDC519-150	1450	170	22	73	18.5	150	343
CVDC522-150	1450	200	22	73	22	150	360
CVDC522-150(I)	1450	135	30	66	22	150	350
CVDC511-200	1450	210	10	70	11	200	280
CVDC515-200	1450	300	10	72	15	200	305
CVDC519-200	1450	250	15	75	18.5	200	348
CVDC522-200	1450	250	18	72	22	200	362
CVDC522-200(I)	1450	450	10	72	22	200	398
CVDC530-200	980	420	15	76	30	200	797
CVDC530-200(I)	980	280	22	74	30	200	797
CVDC515-250	1450	500	6	71	15	250	455
CVDC519-250	1450	600	6	71	18.5	250	495
CVDC519-250(I)	1450	350	10	71	18.5	250	495
CVDC522-250	1450	700	6	73	22	250	536
CVDC530-250	980	460	13	75	30	250	782



Installation dimensions



型号 Type	D_o	d	n_1	d_1	D_1	H_1	n_2	d_2	D_2	H_2	H	A	B	D	θ
CVDC50.75-50	380	15	4	18	125	132.5	4	18	125	345.5	722.5	110	210	420	45
CVDC51.5-65	420	15	4	18	145	157	4	18	145	405	833	120	220	460	45
CVDC51.5-65(I)	420	15	4	18	145	141	4	18	145	375	806.5	120	270	460	45
CVDC52.2-65	420	15	4	18	145	157	4	18	145	405	848	120	220	460	45
CVDC53.7-65	420	15	4	18	145	142.5	4	18	145	375.5	863	120	270	460	45
CVDC55.5-65	490	18	4	18	145	157	4	18	145	405	938	120	350	550	45
CVDC51.5-80	420	15	8	18	160	147	8	18	160	405	833	130	220	460	22.5
CVDC52.2-80	420	15	8	18	160	147	8	18	160	405	848	130	220	460	22.5
CVDC53.7-80	460	18	8	18	160	147	8	M16	160	420	923	130	255	520	22.5
CVDC55.5-80	460	18	8	18	160	147	8	M16	160	420	966	130	255	520	22.5
CVDC57.5-80	490	18	8	18	160	147	8	18	160	425	1005	130	270	550	22.5
CVDC57.5-80(I)	490	18	8	18	160	147	8	18	160	405	972	130	350	550	22.5
CVDC511-80	600	18	8	18	160	137	8	18	160	450	1150	130	380	680	22.5
CVDC515-80	600	18	8	18	160	137	8	18	160	450	1194	130	380	680	22.5
CVDC53.7-100	460	18	8	18	180	157	8	18	180	450	953	150	255	520	22.5
CVDC55.5-100	460	18	8	18	180	157	8	18	180	450	996	150	255	520	22.5
CVDC57.5-100	490	18	8	18	180	157	8	18	180	455	1035	150	270	550	22.5



型号 Type	Do	d	n1	d1	D1	H1	n2	d2	D2	H2	H	A	B	D	θ
CVDC511-100	560	18	8	18	180	157	8	18	180	500	1206	150	320	620	22.5
CVDC515-100	560	18	8	18	180	157	8	18	180	500	1250	150	320	620	22.5
CVDC519-100	560	18	8	18	180	157	8	M16	180	500	1322	150	400	620	22.5
CVDC55.5-150	540	18	8	22	240	187	8	22	240	544	1102	180	280	600	22.5
CVDC57.5-150	540	18	8	22	240	187	8	22	240	544	1136	180	280	600	22.5
CVDC511-150	530	18	8	22	240	183	8	22	240	506	1214	180	320	610	22.5
CVDC515-150	530	18	8	22	240	183	8	22	240	506	1258	180	320	610	22.5
CVDC515-150(I)	530	18	8	22	240	183	8	22	240	506	1258	180	320	610	22.5
CVDC519-150	600	18	8	22	240	182	8	22	240	555	1377	180	400	660	22.5
CVDC522-150	600	18	8	22	240	182	8	22	240	555	1417	180	400	660	22.5
CVDC522-150(I)	600	18	8	22	240	192	8	22	240	555	1417	180	400	660	22.5
CVDC511-200	600	19	8	23	295	247	8	23	295	682	1429	210	390	660	22.5
CVDC515-200	600	19	8	23	295	247	8	23	295	682	1473	210	390	660	22.5
CVDC519-200	600	19	8	23	295	247	8	23	295	682	1541	210	390	660	22.5
CVDC522-200	680	19	8	23	295	248	8	23	295	681	1580	210	480	760	22.5
CVDC522-200(I)	600	19	8	23	295	247	8	23	295	682	1581	210	390	660	22.5
CVDC530-200	780	19	8	23	295	247	8	23	295	710	1716	210	500	860	22.5
CVDC530-200(I)	780	19	8	23	295	247	8	23	295	710	1716	210	500	860	22.5
CVDC515-250	660	23	12	23	350	267	12	23	350	801	1610	260	450	720	15
CVDC519-250	660	23	12	23	350	267	12	23	350	801	1678	260	450	720	15
CVDC519-250(I)	660	23	12	23	350	267	12	23	350	801	1678	260	450	720	15
CVDC522-250	660	23	12	23	350	267	12	23	350	801	1718	260	450	720	15
CVDC530-250	780	23	12	23	350	277	12	23	350	850	1856	260	680	860	15



上海川源机械工程有限公司
Shanghai GSD Industrial Co.,Ltd

800-820-1977

We reserve the right to change content without notice.

CY-A6