



上海川源机械工程有限公司
Shanghai GSD Industrial Co.,Ltd



VP

沉水式涡流泵

VP submersible vortex pump



VP 沉水式涡流泵

VP submersible vortex pump

Application

The base of building drainage equipment and sewer drainage works.
 Civil and architectural engineering construction.
 Farm irrigation and pasturage drainage.
 Cabin ponding and waste water drainage.
 Drainage of waste water treatment.

Features

0~40°C

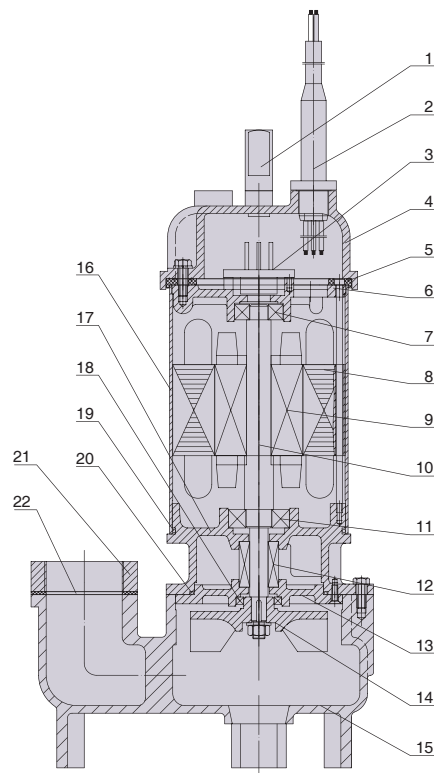
F

IP68

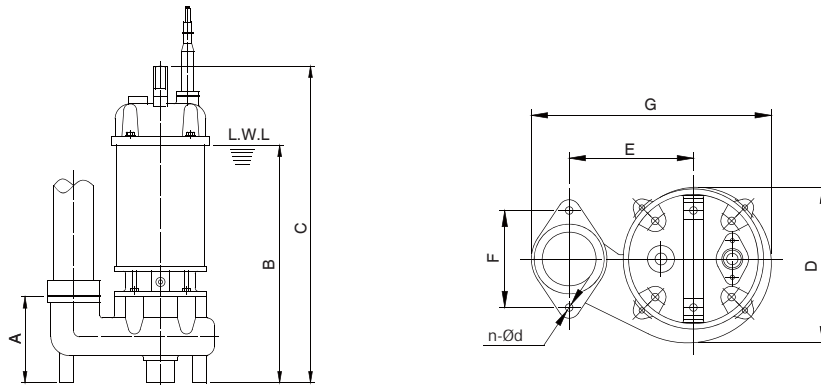
Low wear, no wound and no clog.
 The product is conneted with inner bolt bar, it has good appearance.
 The application of liquid temperature: 0~40°C.
 Double mechanical seal, the material of shaft seal is SiC.
 Squirrel-cage, induction motors are F class insulation, motor protection grade is IP68.

Construction

NO.	NAME	MATERIAL
1	Handle	ABS
2	Cable	
3	Heat-protector	
4	Motor cover	FC200
5	Motor cover gasket	NBR
6	Shaft block	FC200
7	Bearing	
8	Stator	
9	Rotor	
10	Shaft	SUS420J2
11	Bearing	
12	Mechanical seal	SiC-SiC
13	Oil cover	FC200
14	Impeller	FC200
15	Pump casing	FC200
16	Motor casing	SUS304
17	Bracket	FC200
18	Framework oil seal	
19	O-ring	
20	O-ring	
21	Bullion flange	FC200
22	Flange gasket	NBR

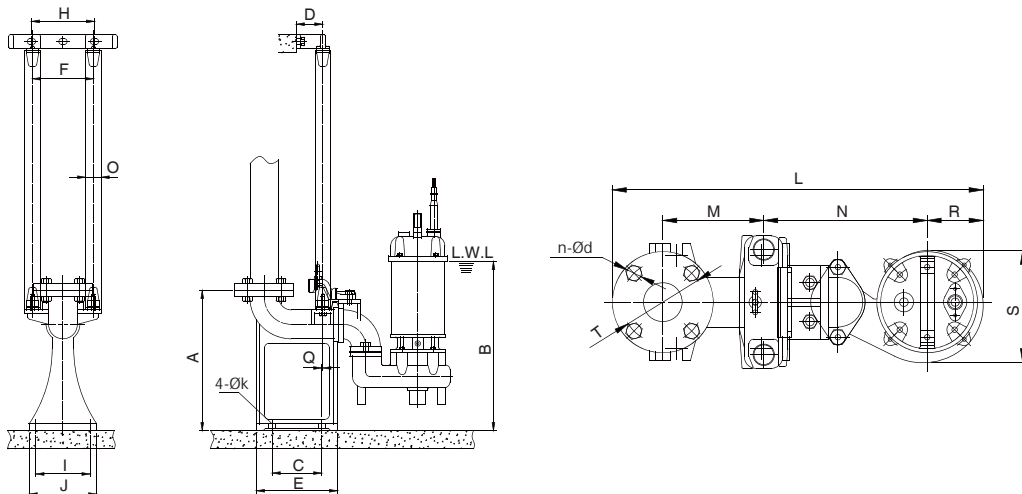


Installation dimensions(without autsetter)



Type	A	B	C	D	E	F	G	n-Ød
VP50.4-50	114	303	407	144	115	90	222	2-Ø10
VP50.75-50	114	322	431	149	115	90	222	2-Ø10
VP51.5-50	169	407	558	204	242	125	423.5	4-Ø19
VP52.2-50	169	432	583	204	242	125	423.5	4-Ø19
VP53.7-80	222	509	684	225	267.5	160	474	4-Ø19

Installation Dimensions(with autsetter)



Type	H	F	O	I	J	D	A	B	C	E	Q	K	L	M	N	R	F	T	n-Ød
VP50.4-50	140	135	25	120	150	59	310	362	110	180	2.5	16	477.5	130	210.5	72	144	105	4-Ø15
VP50.75-50	140	135	25	120	150	59	310	381	110	180	2.5	16	477.5	130	210.5	72	149	105	4-Ø15
VP51.5-50	275	120	40	110	150	65	310	568	110	180	5.5	16	557	125	256	99	204	125	4-Ø19
VP52.2-50	275	120	40	110	150	65	310	593	110	180	5.5	16	557	125	256	99	204	125	4-Ø19
VP53.7-80	295	130	40	180	220	65	340	617	180	240	54	20	649	156	281	106	225	160	4-Ø19

欢迎索取以下产品型录



泵系列



搅拌推流系列



供氧曝气系列



风机系列



污泥处理设备
及其他



上海川源机械工程有限公司
Shanghai GSD Industrial Co.,Ltd

800-820-1977

We reserve the right to change content without notice.

CY-A4