



宏旭

HORNG SHIUH

橫 軸

自吸式泵浦

Self-Priming

PUMP



FNP



## 特點

## Features

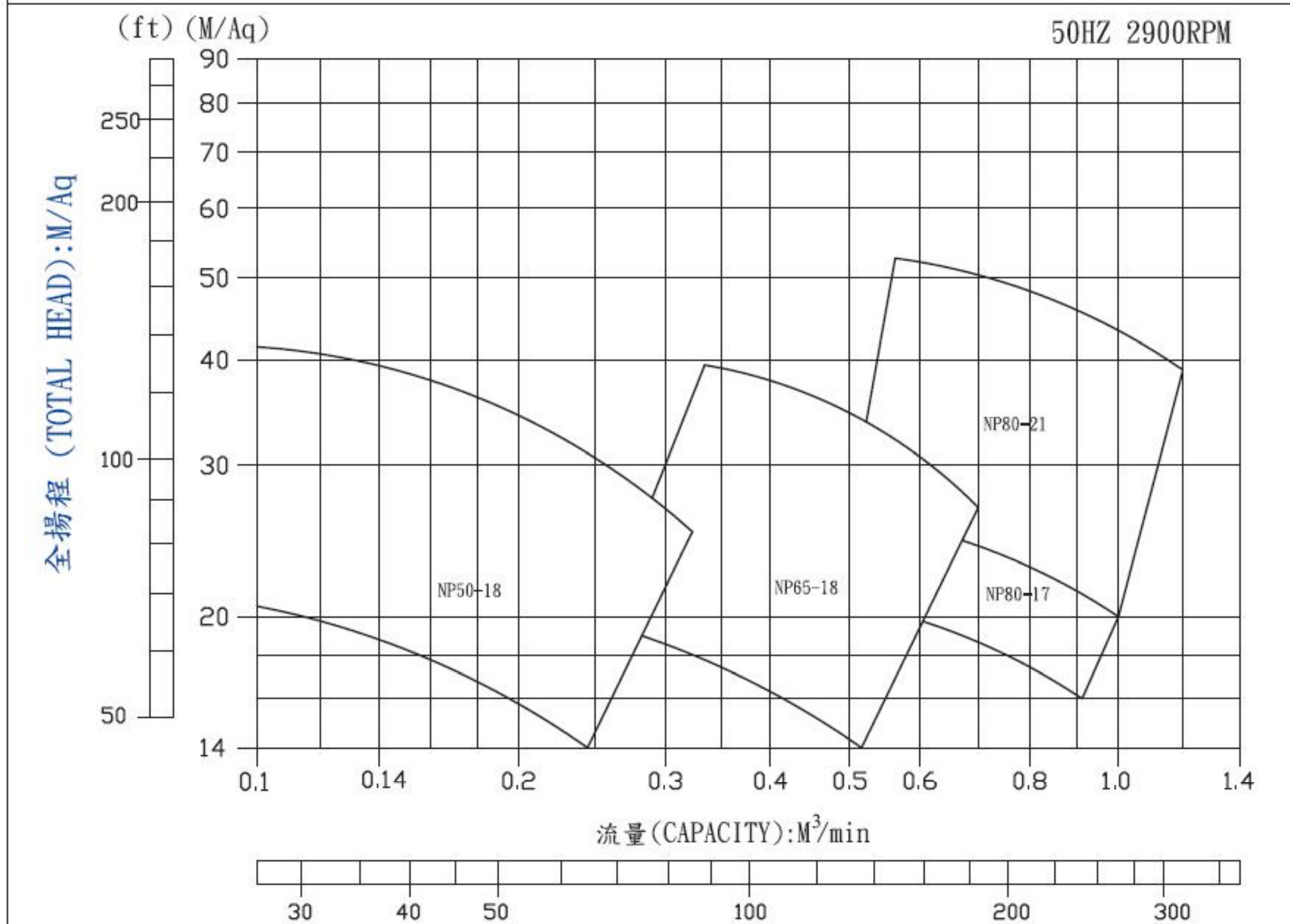
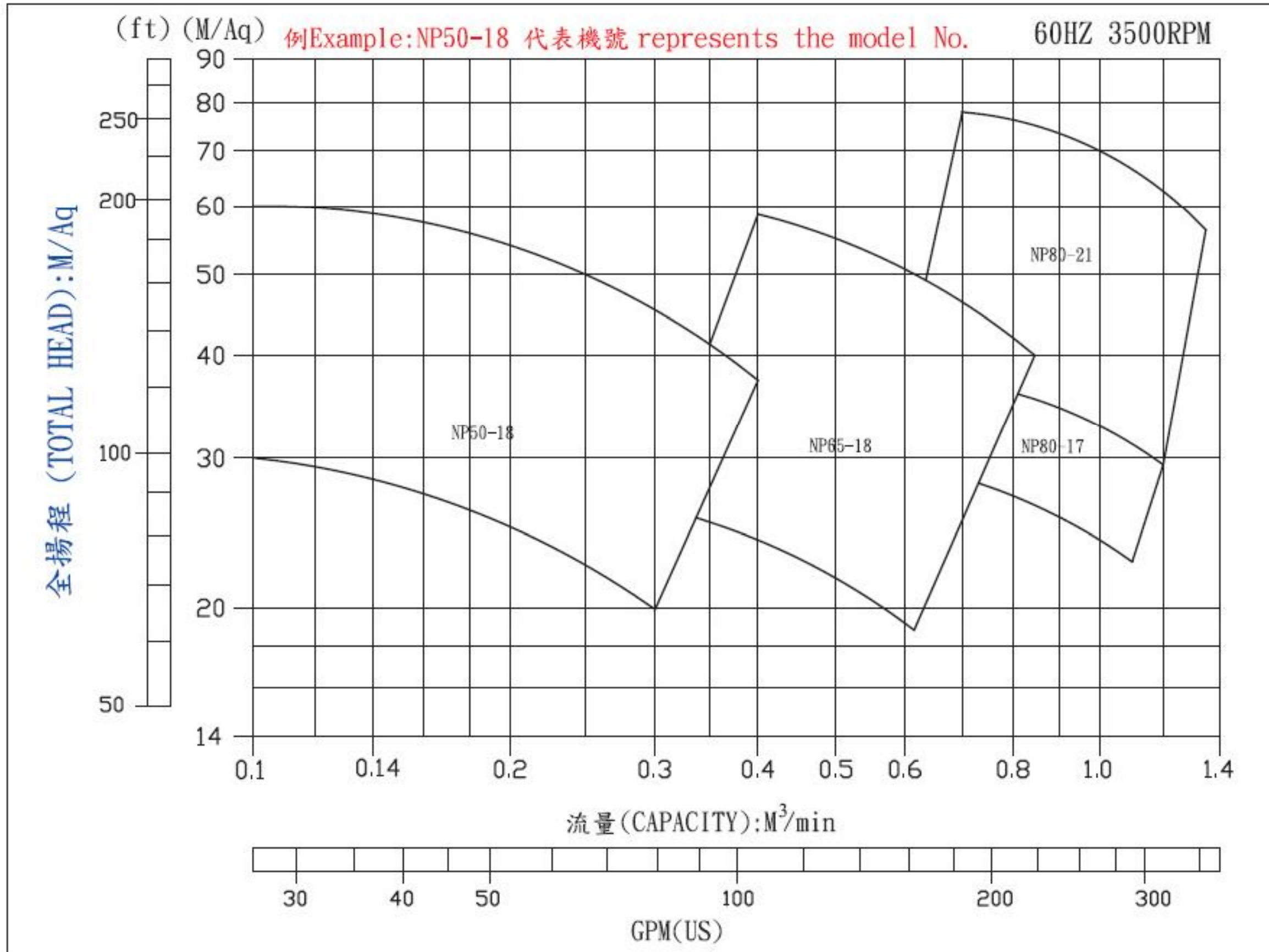
- 1** 自吸式泵浦：本體特殊構造，自吸能力高、揚水時間短。
  - 2** 不必加裝底閥，最初加水即可自行排氣揚水，減少灌水麻煩。
  - 3** 聯軸式：採用背向拉出(BACK-PULL-OUT)設計，泵浦與馬達分開，泵浦結構強及維修方便性較佳，製作變化性較大(可依客戶流體變化及製作條件要求變動); 支援API振動規範及軸封沖洗規範。
  - 4** 直接式：採用同軸直接式構造，體型小，重量輕，佔用空間小，安裝方便。
  - 5** 半開放式葉輪設計可適合顆粒或長纖維雜物或污泥等液體抽送。(若流體乾淨時可改密閉式葉輪製作)
- 1** Self-priming Pump: Configured in a special construction to achieve higher self-priming capacity and shorter pumping time.
  - 2** Saving the need of an additional Foot Valve. It performs exhaust pumping when first charged to reduce the trouble of pouring water.
  - 3** Coupling Type: Designed in Back-Pull-out type. The pump is separated from the motor to provide a stronger structure and more convenient maintenance. It is configured with more flexibility (it can be modified according to the change of fluid and production conditions required by the customer). Further, it also supports API vibration specification and shaft seal flushing specification
  - 4** Coaxial Type: Designed in direct coaxial construction. Lighter, less space and easier for installation.
  - 5** Semi-open Impeller Design: Suitable for pumping liquid containing particles, longer fiber objects or mud (in case of clean fluid, it can be set to sealed impeller model)

## 用途

## Application

- 1** 產業工廠給水、排水用。
  - 2** 建築工事給水、排水用。
  - 3** 農耕栽培灌溉、排水用。
  - 4** 防洪排水用。
  - 5** 下水道污水或污水處理廠污水輸送。
  - 6** 化學液體、溶劑、食品等輸送。
- 1** Water supply and drainage of industrial factories.
  - 2** Water supply and drainage of construction works.
  - 3** Irrigation and drainage of agricultural cultivation.
  - 4** Flood control and drainage.
  - 5** Conveying of effluent for sewer system or wastewater treatment plant.
  - 6** Conveying of chemical liquid, solvent and food, etc.

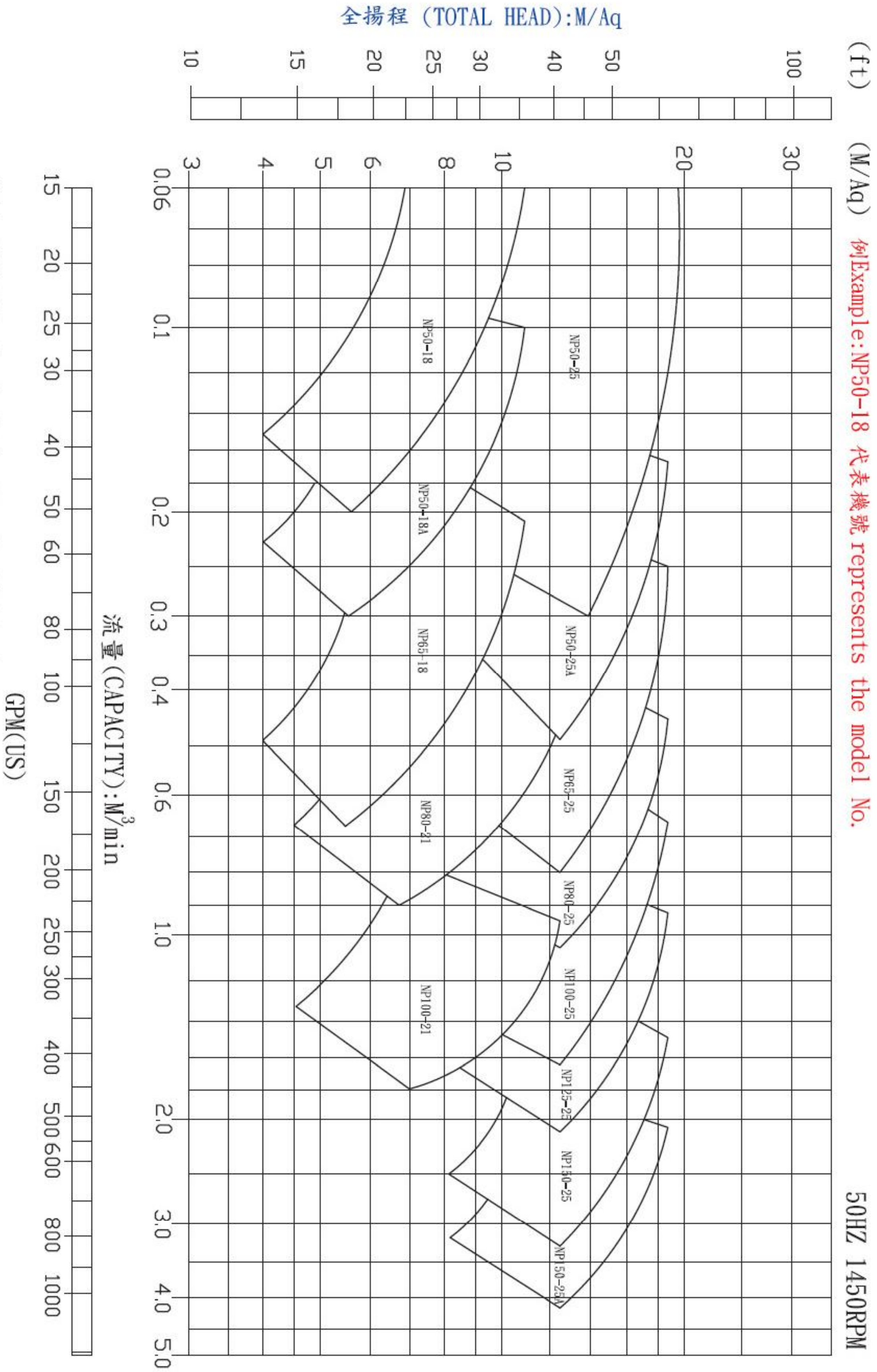




\*\*本公司持續開發新規格; 若所選用非上述性能, 歡迎向本公司洽詢。

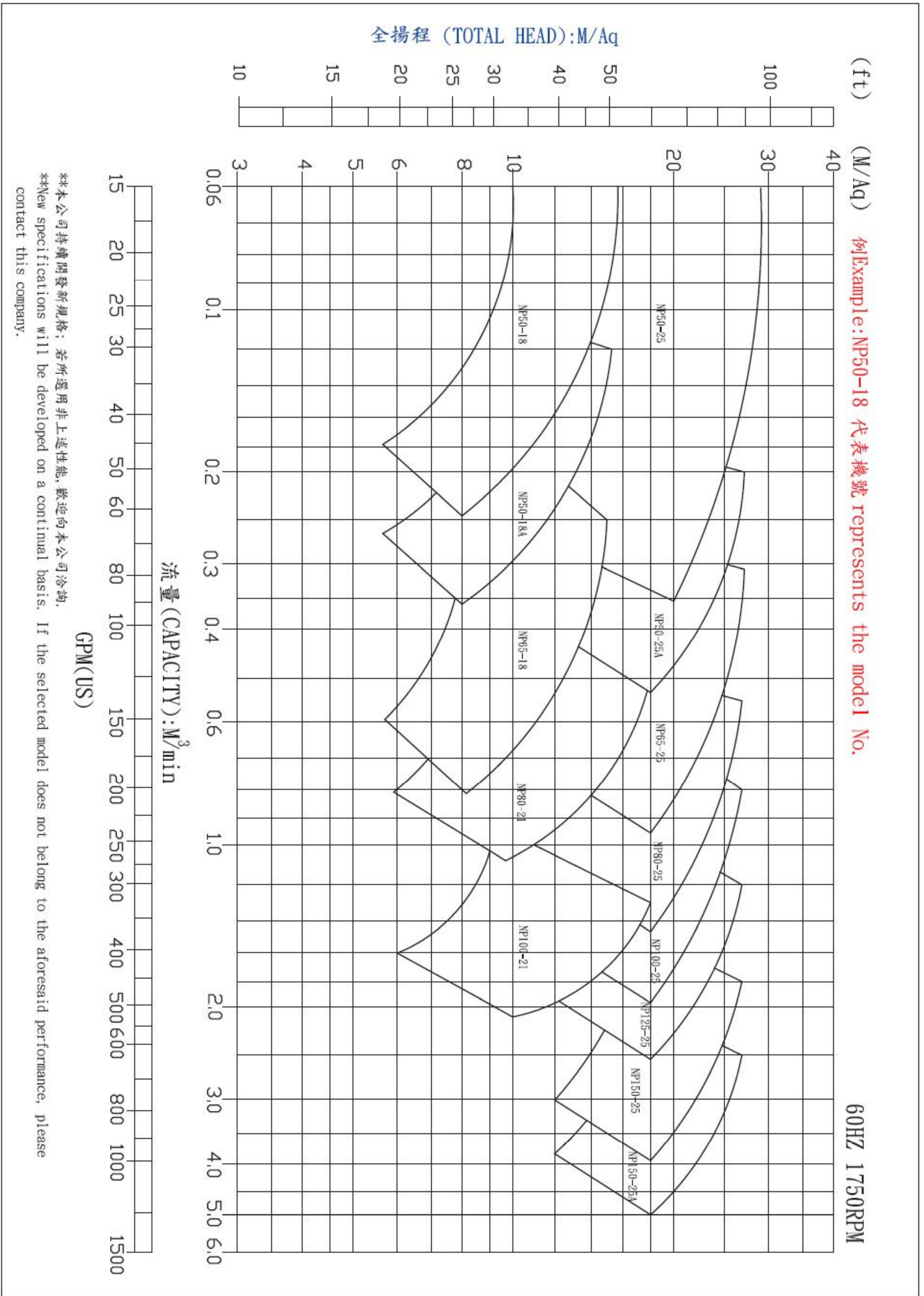
\*\*New specifications will be developed on a continual basis. If the selected model does not belong to the aforesaid performance, please contact this company.





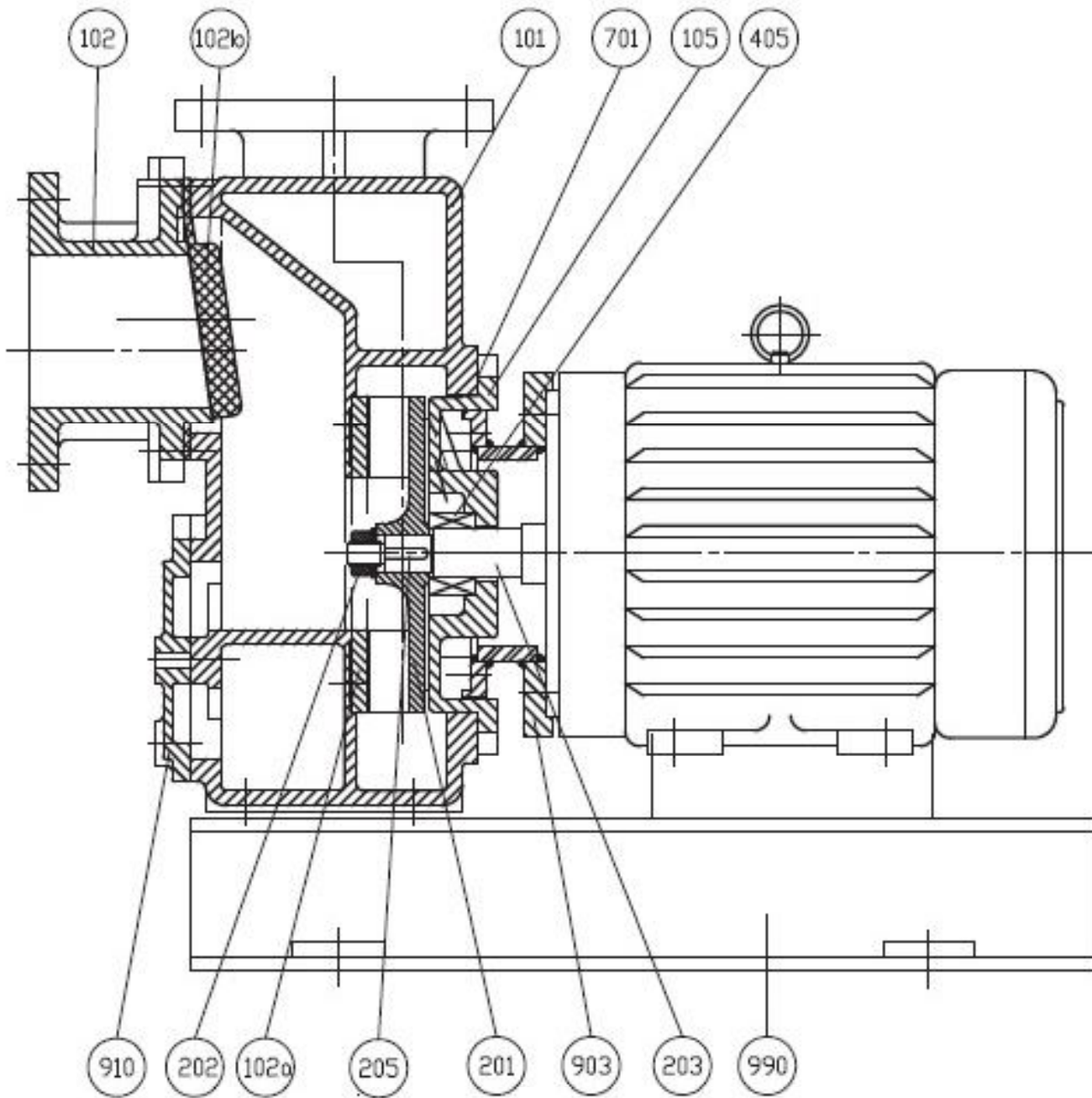
\*\*本公司持續開發新規格；若所選用非上述性能，歡迎向本公司洽詢。  
 \*\*New specifications will be developed on a continual basis. If the selected model does not belong to the aforesaid performance, please contact this company.





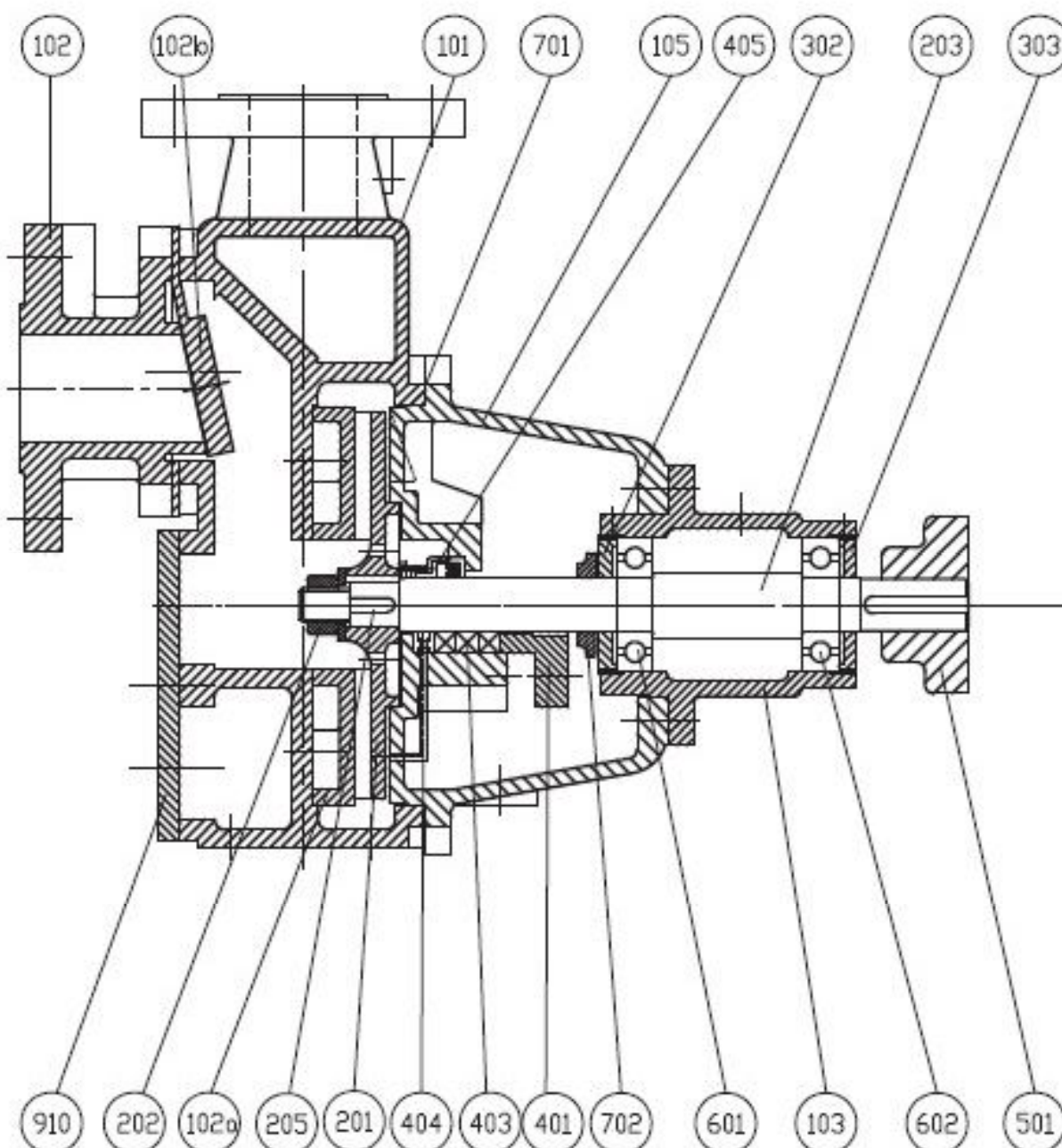


F N P 構造圖 (Construction) - 直接式 Coaxial



件號 No.	材質 Component	材質Material (A)	材質Material (B)	材質Material (C)
101	泵殼 Casing	FC200	SCS13A	SCS14A
102	吸入殼 Suction cover	FC200	SCS13A	SCS14A
102a	吸入環 Suction ring	FC200	SCS13A	SCS14A
102b	止回閥 Check Valve	SS400+NBR	或其他材質(配合液體製作) or other material (fabricated according to the liquid to be processed)	
105	側蓋 Seal plate	FC200	SCS13A	SCS14A
201	葉輪 Impeller	FC200 / BC6	SCS13A	SCS14A
202	固定螺帽 Lock nut	SUS304	SUS304	SUS316
203	馬達軸 motor shaft	配合馬達製作 Fabricated according to the motor type.		
205	葉輪鍵 Impeller key	SUS304	SUS304	SUS316
405	機械軸封 Mechanical Seal			
701	墊片 Packing	V#1500	V#1500	V#1500
903	馬達座 Motor pedestal	SS400	SS400	SS400
910	掃除蓋 Clear cover	FC200	SCS13A	SCS14A
990	底座 Base	SS400	SS400	SS400

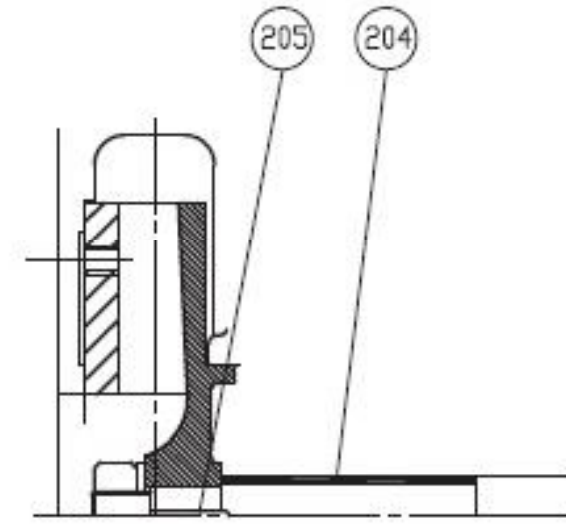
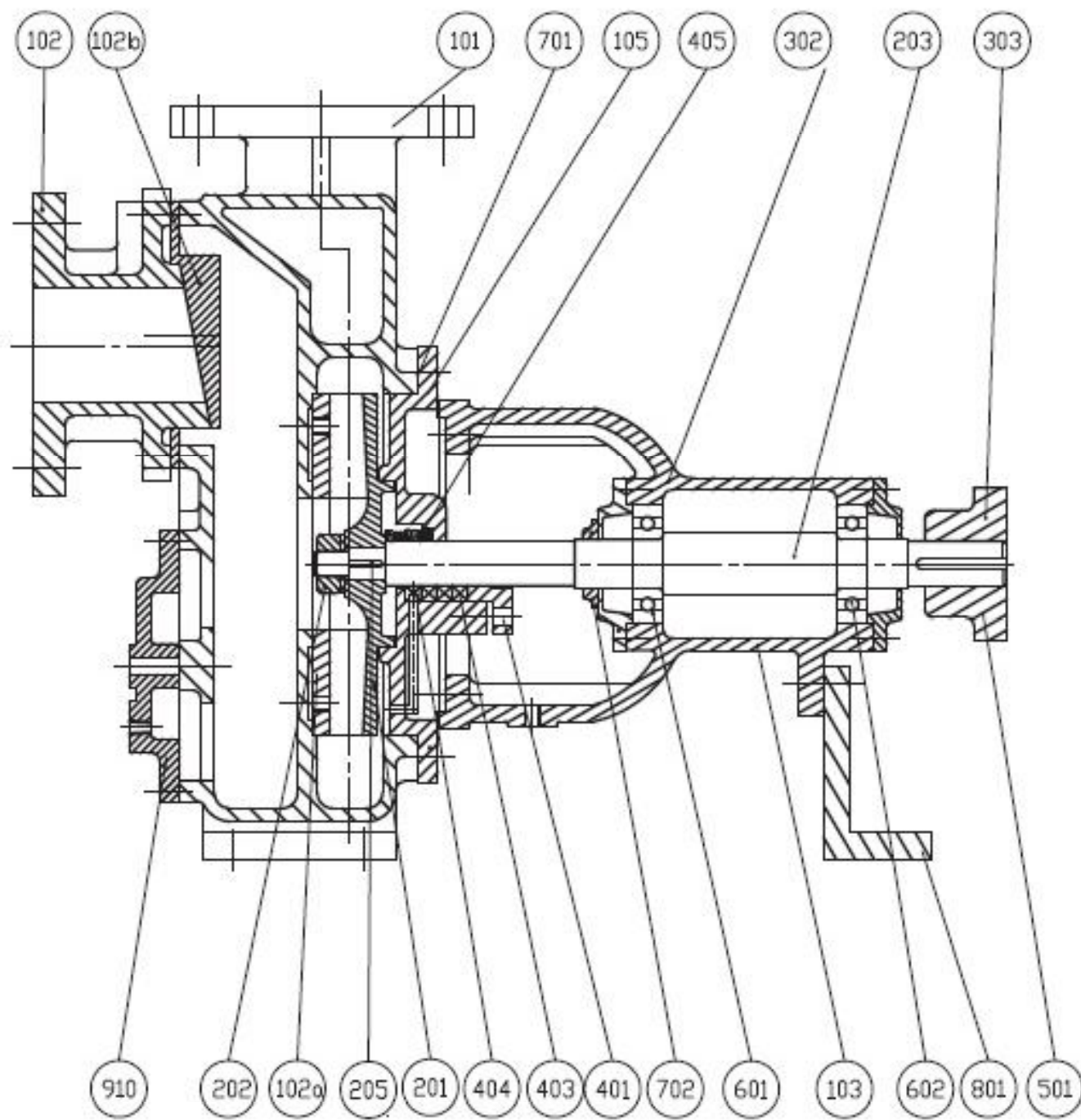
聯軸式 Coupling type (無支腳 without support foot)



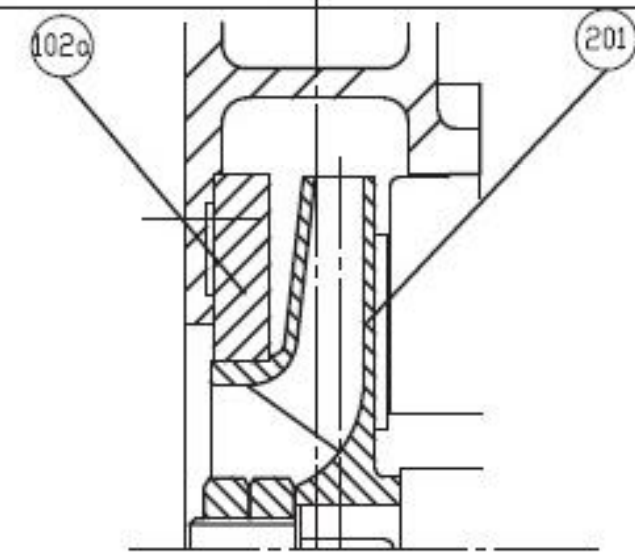
件號 No.	材質 Component	材質Material (A)	材質Material (B)	材質Material (C)
101	泵殼 Casing	FC200	SCS13A	SCS14A
102	吸入殼 Suction cover	FC200	SCS13A	SCS14A
102a	吸入環 Suction ring	FC200	SCS13A	SCS14A
102b	止回閥 Check Valve	SS400+NBR	或其他材質(配合液體製作) or other material (fabricated according to the liquid to be processed)	
103	軸承箱 Bearing housing	FC200	FC200	FC200
105	側蓋 Seal plate	FC200	SCS13A	SCS14A
201	葉輪 Impeller	FC200 / BC6	SCS13A	SCS14A
202	固定螺帽 Lock nut	SUS304	SUS304	SUS316
203	泵軸 shaft	SUS304	SUS304	SUS316
205	葉輪鍵 Impeller key	SUS304	SUS304	SUS316
301	軸承蓋 Bearing cover-front	FC200	FC200	FC200
302	軸承蓋 Bearing cover-rear	FC200	FC200	FC200
401	填料蓋 Gland	FC200	SCS13A	SCS14A
403	填料 Packing	V#133	V#7133	V#7133
404	冷卻環 Lantern	BC6	SUS304	SUS316
405	機械軸封 Mechanical Seal			
501	聯軸器 Coupling	FC200	FC200	FC200
601	球軸承 Ball bearing			
602	球軸承 Ball bearing			
701	墊片 Packing	V#1500	V#1500	V#1500
702	擋水環 Water slinger	Rubber	Rubber	Rubber
910	掃除蓋 Clear cover	FC200	SCS13A	SCS14A



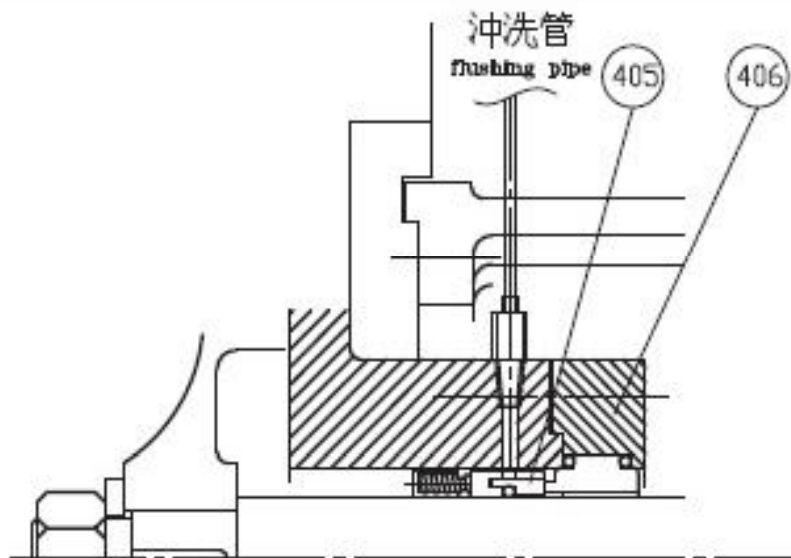
F N P 構造圖(Construction)-聯軸式Coupling type(附支腳 with support foot)



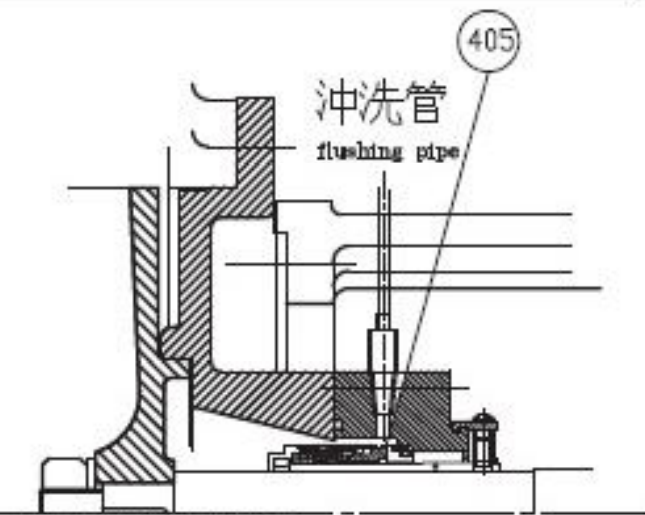
① 配軸套筒 (With shaft sleeves.)



② 配密閉式葉輪 (With Closed Impeller)

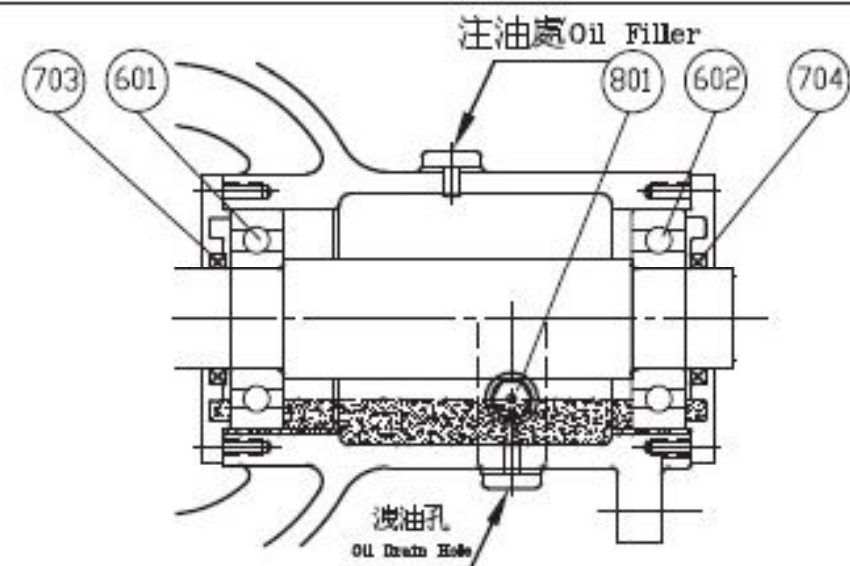


③ 配化工用機械軸封型 (Mechanical seals for chemical processing)



套裝型軸封-軸封+押蓋+軸套筒全組  
Cartridge seal-Mechanical Seal+Cover+Shaft Sleeve Set

④ 配套裝型機械軸封 (Mechanical seals for cartridge seal)



⑤ 球軸承用機油潤滑型 (Bearing Housing With Oil Bath)

件號 No.	材質 Component	材質Material (A)	材質Material (B)	材質Material (C)	材質Material (D)
101	泵殼 Casing	FC200	FCD45	SCS13A	SCS14A
102	吸入殼 Suction cover	FC200	FCD45	SCS13A	SCS14A
102a	吸入環 Suction ring	FC200	FCD45	SCS13A	SCS14A
102b	止回閥 Check Valve	SS400+NBR <small>或異種材質(配合液體製件) or other material (fabricated according to the liquid to be processed)</small>			
103	軸承箱 Bearing housing	FC200	FC200	FC200	FC200
105	側蓋 Seal plate	FC200	FCD45	SCS13A	SCS14A
108	支腳 support foot	FC200	FC200	FC200	FC200
201	葉輪 Impeller	FC200/BC6	FCD45	SCS13A	SCS14A
202	固定螺帽 Lock nut	SUS304	SUS304	SUS304	SUS316
203	泵軸 Shaft	SUS410	SUS410	SUS304	SUS316
204	軸套筒 Sleeve	SUS410	SUS410	SUS304	SUS316
205	葉輪鍵 Impeller key	SUS304	SUS304	SUS304	SUS316
301	軸承蓋 Bearing cover-front	FC200	FC200	FC200	FC200
302	軸承蓋 Bearing cover-rear	FC200	FC200	FC200	FC200
401	填料蓋 Gland	FC200	FCD45	SCS13A	SCS14A
403	填料 Racking	V#133	V#133	V#7133	V#7133
404	冷卻環 Lantern	BC6	BC6	SUS304	SUS316
405	機械軸封 Mechanical Seal				
406	軸封押蓋 Seal Cover	SUS304	SUS304	SUS304	SUS316
501	聯軸器 Coupling	FC200	FC200	FC200	FC200
601	球軸承 Ball bearing				
602	球軸承 Ball bearing				
701	墊片 Packing	V#1500	V#1500	V#1500	V#1500
702	擋水環 Water slinger	Rubber	Rubber	Rubber	Rubber
703	油封 Oil seal	Rubber	Rubber	Rubber	Rubber
704	油封 Oil seal	Rubber	Rubber	Rubber	Rubber
801	油面鏡 Oil mirror	壓克力Acrylic	壓克力Acrylic	壓克力Acrylic	壓克力Acrylic
910	掃除蓋 Clear cover	FC200	FCD45	SCS13A	SCS14A



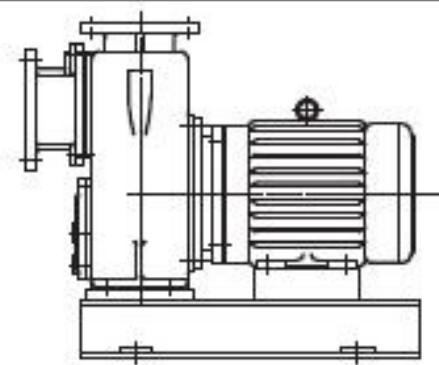
自吸式離心泵浦性能建議

SELF-PRIMING CENTRIFUGAL PUMP PERFORMANCE

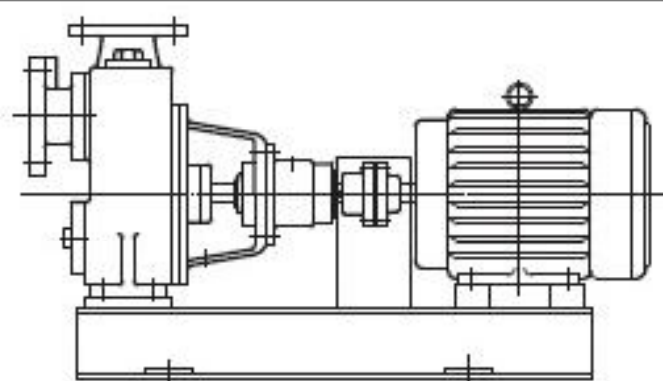
型式 Model	口徑Caliber(mm)		60HZ				50HZ			
	入口(In)	出口(Out)	馬達Motor (轉速RPM)	水量Capacity (CMM)	揚程Head (M/Aq)	馬力BHP (HP)	馬達Motor (轉速RPM)	水量Capacity (CMM)	揚程Head (M/Aq)	馬力BHP (HP)
NP50-18	ø50	ø50	2P (3500RPM)	0~0.40	60~22	3~10HP	2P (2900RPM)	0~0.34	41.5~15	3~7.5HP
			4P (1750RPM)	0~0.22	15~6	1~2HP	4P (1450RPM)	0~0.183	10.5~4.2	1~2HP
NP50-18A	ø50	ø50	4P (1750RPM)	0.15~0.35	15~6	1~2HP	4P (1450RPM)	0.125~0.29	10.5~4.2	1~2HP
NP50-25	ø50	ø50	4P (1750RPM)	0~0.35	28~12	3~5HP	4P (1450RPM)	0~0.29	19.5~8.3	2~3HP
NP50-25A	ø50	ø50	4P (1750RPM)	0.20~0.46	28~12	5~7.5HP	4P (1450RPM)	0.167~0.383	19.5~8.3	2~5HP
NP65-18	ø65	ø65	2P (3500RPM)	0.35~0.82	58~22	5~20HP	2P (2900RPM)	0.29~0.68	40~15	3~15HP
			4P (1750RPM)	0.25~0.80	15~6	2~5HP	4P (1450RPM)	0.21~0.67	10.5~4.2	2~3HP
NP65-25	ø65	ø65	4P (1750RPM)	0.35~0.90	28~12	5~7.5HP	4P (1450RPM)	0.29~0.75	19.5~8.3	3~5HP
NP80-17	ø80	ø80	2P (3500RPM)	0.60~1.1	38~22	10~15HP	2P (2900RPM)	0.50~0.92	26~15	5~10HP
NP80-21	ø80	ø80	2P (3500RPM)	0.75~1.20	75~40	15~40HP	2P (2900RPM)	0.75~1.20	75~40	15~40HP
			4P (1750RPM)	0.52~1.05	18~6	5~10HP	4P (1450RPM)	0.43~0.875	12.5~4.2	3~7.5HP
NP80-25	ø80	ø80	4P (1750RPM)	0.55~1.2	28~12	7.5~15HP	4P (1450RPM)	0.46~1.0	19.5~8.3	5~10HP
NP100-21	ø100	ø100	4P (1750RPM)	1.1~2.05	18~6	7.5~15HP	4P (1450RPM)	0.92~1.71	12.5~4.2	5~10HP
NP100-25	ø100	ø100	4P (1750RPM)	0.70~1.95	28~12	10~20HP	4P (1450RPM)	0.58~1.63	19.5~8.3	5~15HP
NP125-25	ø125	ø125	4P (1750RPM)	1.1~2.5	28~12	10~25HP	4P (1450RPM)	0.92~2.09	19.5~8.3	7.5~20HP
NP150-25	ø150	ø150	4P (1750RPM)	1.8~3.9	28~12	15~30HP	4P (1450RPM)	1.5~3.25	19.5~8.3	10~20HP
NP150-25A	ø150	ø150	4P (1750RPM)	2.5~5.0	28~12	15~40HP	4P (1450RPM)	2.1~4.17	19.5~8.3	10~25HP

\*\*上述性能建議供參考--進一步詳細資料須洽本公司

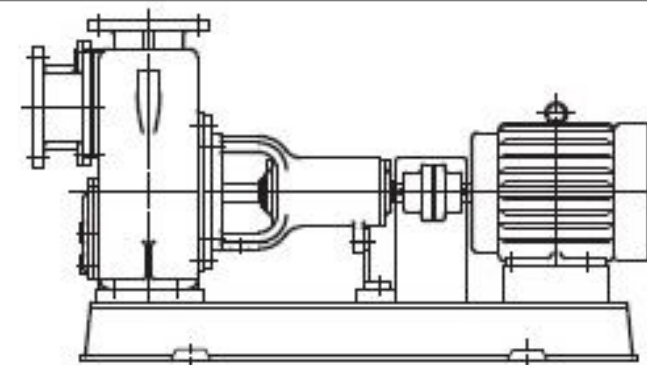
\*\*The aforesaid performance suggestions are for reference only. For detailed information, please contact this company.



\*\*直接式-無聯軸器  
\*\*Coaxial-without coupling



\*\*背拉式-聯軸器型(無支腳)  
\*\*Back-pull-out-coupling type  
(without support foot)



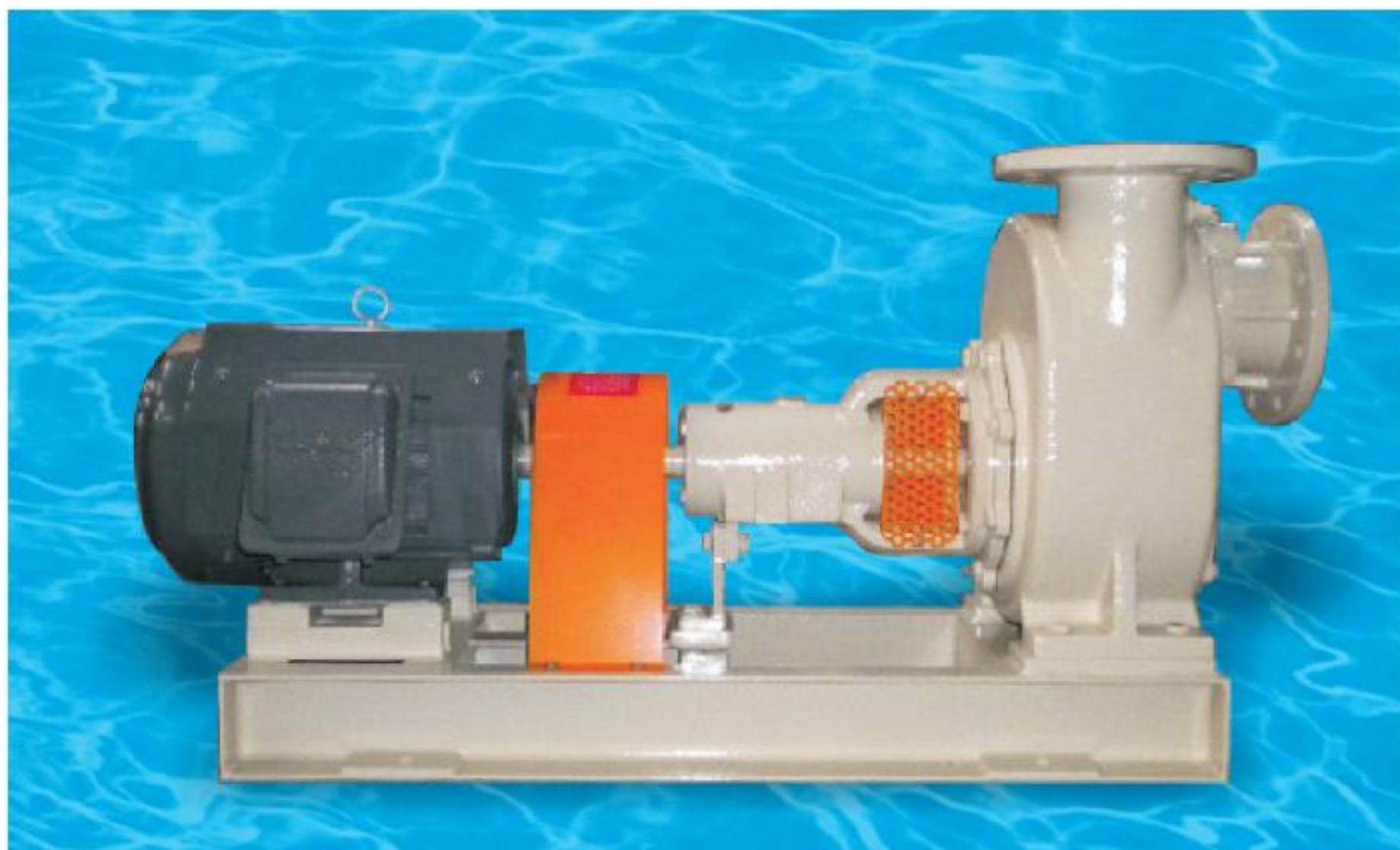
\*\*背拉式-聯軸器型(附支腳)  
\*\*Back-pull-out-coupling type  
(with support foot)

\*\*尺寸--須配合選用機型及馬達規格(另行出圖)

\*\*Dimensions: To match with the selected model and motor specifications. (the drawing is pending)



背拉式-聯軸器型(附支腳)  
Back-Pull-Out type-Coupling type(with support foot)



- ▶ 因應客戶要求：軸承箱處加裝護網  
To cope with customer demand:Additional protection mesh mounted for the Bearing housing.











## 如蒙洽詢請指示下列各項

## Request for information

- 1.液體：\_\_\_\_\_
- 2.出水量：\_\_\_\_\_ M<sup>3</sup>/Min.(US.GPM)
- 3.總揚程：\_\_\_\_\_ M(ft)
- 4.液體溫度：\_\_\_\_\_ °C(°F)
- 5.液體黏度：\_\_\_\_\_
- 6.比重：\_\_\_\_\_
- 7.酸鹼度：\_\_\_\_\_
- 8.運轉溫度下之蒸汽壓力：  
\_\_\_\_\_ kg/cm<sup>2</sup>(PSIA)
- 9.可用之淨有效吸入揚程：\_\_\_\_\_ M(ft)
- 10.泵浦回轉數：\_\_\_\_\_ rpm
- 11.額定馬力：\_\_\_\_\_ KW(HP) \_\_\_\_\_ Pole  
\_\_\_\_\_ Phase, \_\_\_\_\_ Hz, \_\_\_\_\_ volts

When making an enquiry, please indicate the details of the following information:

- 1.Liquid : \_\_\_\_\_
- 2.Capacity : \_\_\_\_\_ M<sup>3</sup>/Min. (US.GPM)
- 3.Total head : \_\_\_\_\_ M(ft)
- 4.Temperature of Liquid: \_\_\_\_\_ °C (°F)
- 5.Viscosity of Liquid: \_\_\_\_\_
- 6.Specific Gravity: \_\_\_\_\_
- 7.PH : \_\_\_\_\_
- 8.Vapor pressure at operating temperature :  
\_\_\_\_\_ kg/cm<sup>2</sup>(PSIA)
- 9.NPSH available : \_\_\_\_\_ M(ft)
- 10.Pump speed : \_\_\_\_\_ rpm
- 11.Rated Power : \_\_\_\_\_ KW(HP) \_\_\_\_\_ Pole  
\_\_\_\_\_ Phase, \_\_\_\_\_ Hz, \_\_\_\_\_ volts

## 主要產品

## Main Product Line

一般給水排水泵浦  
空調冷凍用泵浦  
鍋爐給水高壓泵浦  
含固體雜質液輸送泵浦  
石化液製程輸送泵浦  
酸鹼液輸送泵浦  
深水井抽水泵浦

General water supply/drainage pump  
Air-conditioning freezing pump  
Boiler water supply high-pressure pump  
Solid impurities contained liquid conveying pump  
Petrochemical liquid process conveying pump  
Acid/alkaline liquid conveying pump  
Deep well suction pump

THAILAND : THAI PINNACLE ENGINEERING CO.,LTD  
8/1 SOI 3-10 PETCHKASEM 77 PETCHKASEM ROAD  
NONGKANGPLU NONGKAEM BANGKOK 10160  
TEL : (662) 809-8915-8 / FAX : (662) 809-8933  
<http://www.thaipinnacle.com>  
E-mail : [sale@thaipinnacle.com](mailto:sale@thaipinnacle.com)