

TS Series Multistage Centrifugal Pump



Power: 0.18 - 3.7 kW

50Hz

Head: Up to 34 M

Flow: Up to 250 L/min

60Hz

Head: Up to 50 M

Flow: Up to 270 L/min

Outlet: 1" - 2"

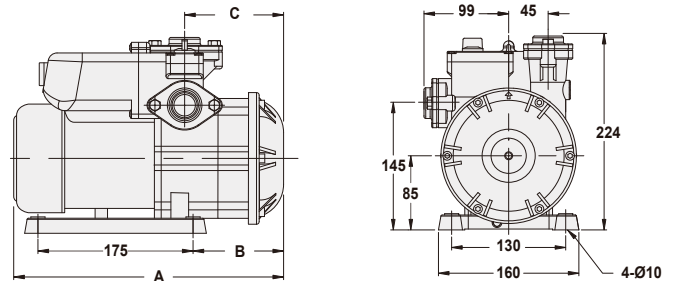
Applications:

The TS series are multistage centrifugal pumps suitable for pressure boosting applications such as increasing water pressure from city mains or private water systems. They are also suitable for other applications such as:

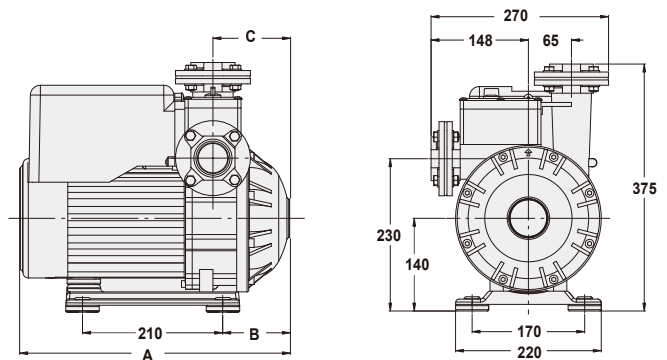
- Water circulation
- Liquid transfer
- Irrigation systems
- Lawn sprinkle systems
- Washing systems
- General purpose pumping

Dimensions:

TS400 / 800



TS1500 / 2200 / 3700



Operation Conditions:

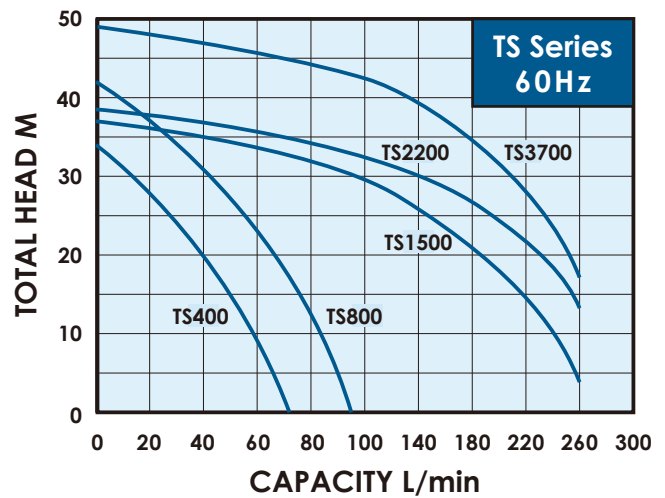
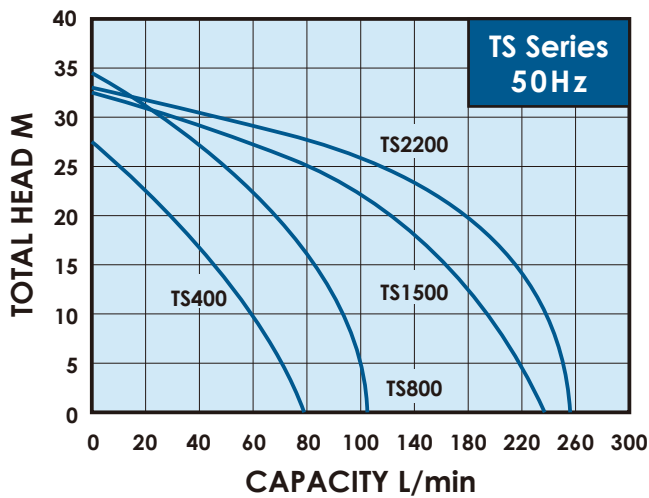
1. Ambient temperature: Max. +40°C
2. Liquid temperature: +4°C ~ +40°C
3. System Pressure : Max. 8.5 kg/cm²

Product Features:

1. Multistage design provides steady, quiet and vibration-free operation for years of trouble-free service.
2. Close coupled, space saving design provides easy installation.
3. All parts in contact with water are made from corrosion resistant materials.
4. Capable of transferring both plain and salt water.
5. The pump is installed with thermostat protection switch to protect against dry running. The pump will shut off when water temperature exceeds 130° F (55° C). (TS400 /800 only)
6. The motor has a built-in thermal overload to protect against high operating temperatures and over current (Single phase motor only)
7. The pumps will lift water up to 7.6m. with foot valve and pump suction piping filled with water

| Model | Cycle (Hz) | A (mm) | B (mm) | C (mm) |
|-------------|------------|--------|--------|--------|
| TS400 | 50 | 305 | 99 | 104 |
| | 60 | 297 | 90 | 95 |
| TS800 | 50 / 60 | 352 | 99 | 104 |
| TS1500/2200 | 50 / 60 | 405 | 101 | 116 |
| TS3700 | 60 | 405 | 101 | 116 |

Performance curve:



Specification, 50Hz

| Model | Power (kW) | Cycle (Hz) | Phase (Ø) | Voltage (V) | | Amp's (A) | | Inlet (in.) | Outlet (in.) | H max. (m) | Q max. (L/min) | N.W. (kg) | |
|--------|------------|------------|-----------|-------------|---------|-----------|-----|-------------|--------------|------------|----------------|-----------|----|
| TS400 | 0.37 | 50 | 1 | 200-240 | | 3.0 | | 1" | 1" | 30 | 75 | 8 | 36 |
| TS800 | 0.75 | 50 | 1 | 200-240 | | 4.4 | | 1" | 1" | 35 | 100 | 11 | 30 |
| TS1500 | 1.5 | 50 | 1 | 200-240 | | 7.2 | | 2" | 2" | 32 | 230 | 26 | 18 |
| | | | 3 | 200-240 | 380-440 | 6.2 | 3.5 | 2" | 2" | 32 | 230 | 26 | 18 |
| TS2200 | 2.2 | 50 | 1 | 200-240 | | 11.1 | | 2" | 2" | 34 | 250 | 27 | 18 |
| | | 50 | 3 | 200-240 | 380-440 | 9.0 | 4.5 | 2" | 2" | 34 | 250 | 27 | 18 |

Specification, 60Hz

| Model | Power (kW) | Cycle (Hz) | Phase (Ø) | Voltage (V) | | Amp's (A) | | Inlet (in.) | Outlet (in.) | H max. (m) | Q max. (L/min) | N.W. (kg) | |
|--------|------------|------------|-----------|-------------|-----|-----------|-----|-------------|--------------|------------|----------------|-----------|----|
| TS400 | 0.37 | 60 | 1 | 110/220 | | 6.0/3.0 | | 1" | 1" | 35 | 70 | 8 | 36 |
| TS800 | 0.75 | 60 | 1 | 110/220 | | 11/5.5 | | 1" | 1" | 42 | 95 | 11 | 30 |
| TS1500 | 1.5 | 60 | 1 | 220 | | 9.5 | | 2" | 2" | 38 | 265 | 26 | 18 |
| | | | 3 | 220 | 380 | 6.5 | 4.2 | 2" | 2" | 38 | 265 | 26 | 18 |
| TS2200 | 2.2 | 60 | 3 | 220 | 380 | 9.5 | 5.2 | 2" | 2" | 39 | 270 | 27 | 18 |
| TS3700 | 3.7 | 60 | 3 | 220 | 380 | 13.8 | 6.8 | 2" | 2" | 50 | 270 | 29 | 18 |